

**SAND BARRELS**

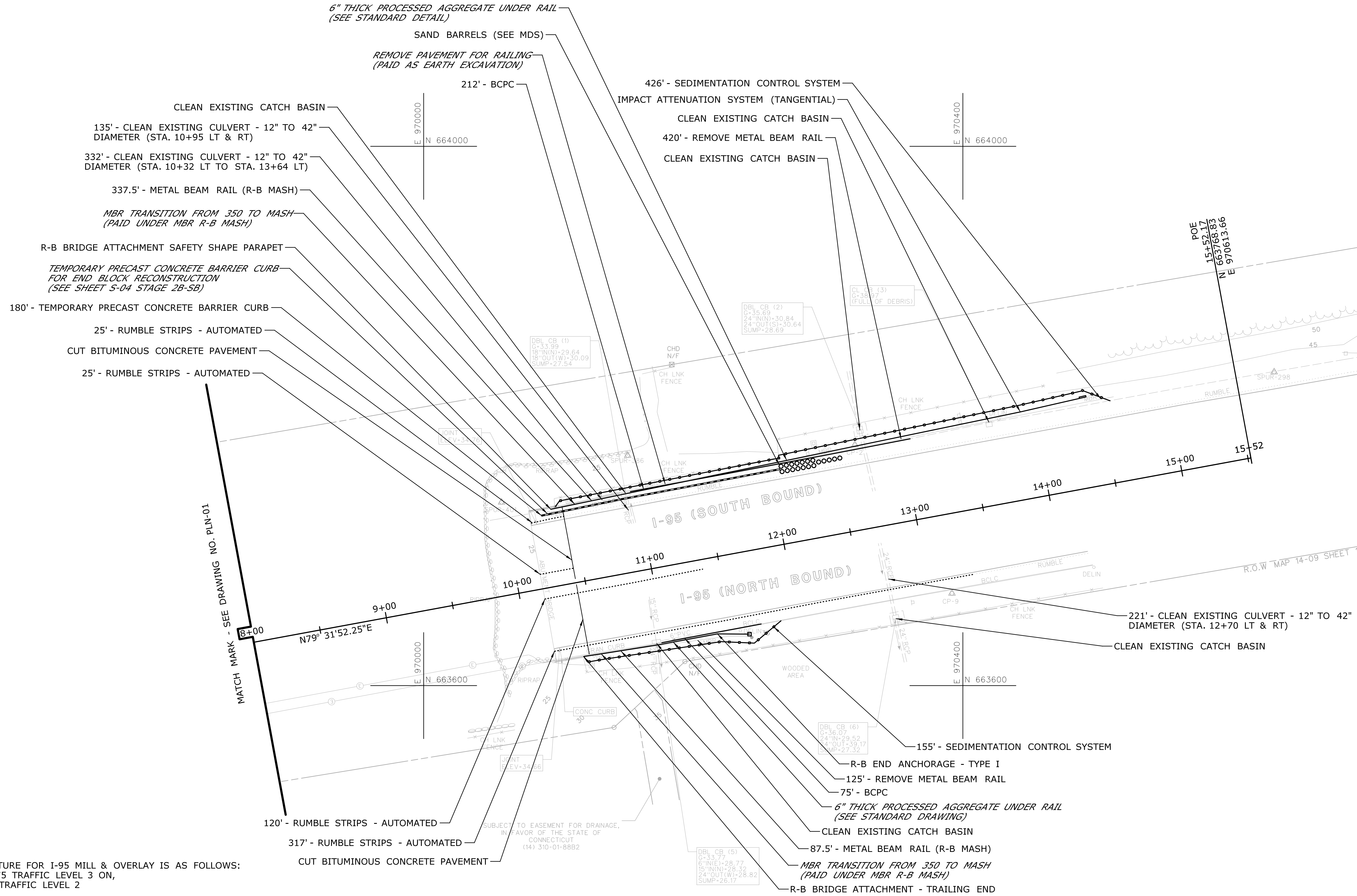
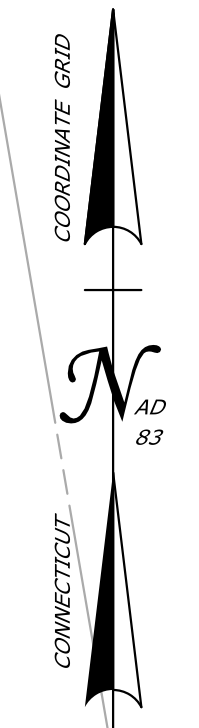
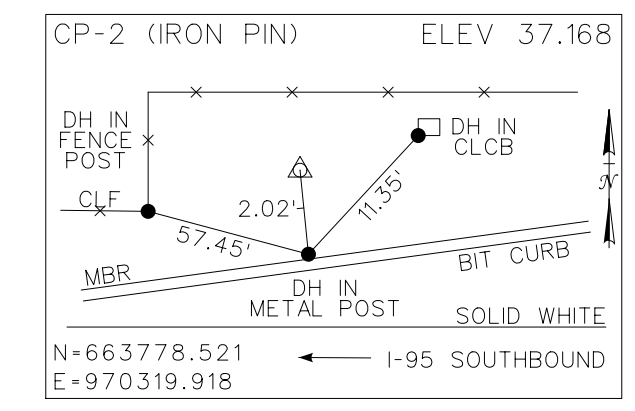
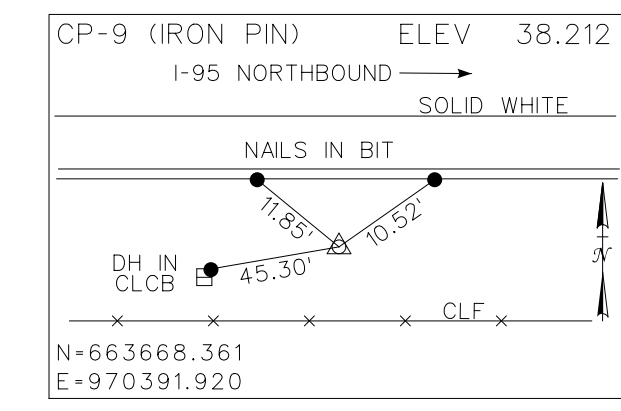
SAND BARREL SYSTEM DESIGNED FOR A SPEED OF 75 MPH

NOTES:

- TEMPORARY SAND BARRELS ARE TO BE INSTALLED IN FRONT OF THE LEADING END OF TEMPORARY PRECAST CONCRETE BARRIER CURB.
- WORK FOR NEW AND REPLACEMENT BARRELS WILL BE MEASURED AND PAID FOR AT THE CONTRACT UNIT PRICES FOR THE VARIOUS WEIGHT BARRELS INVOLVED.
- THE REFLECTOR DELINEATOR SHALL BE INCLUDED IN THE COST OF THE SAND BARRELS.

|                          |      |  |  |  |   |                                 |
|--------------------------|------|--|--|--|---|---------------------------------|
| DESIGNER/DRAFTER:<br>JWH |      | <p>STATE OF CONNECTICUT<br/>DEPARTMENT OF TRANSPORTATION</p> | SIGNATURE/<br>BLOCK:<br><i>Matthew PaP</i> | PROJECT TITLE:<br><b>REHABILITATION OF BR. 00186<br/>ON I-95 OVER LAKE SALTONSTALL</b> | TOWN:<br><b>EAST HAVEN &amp;<br/>BRANFORD</b> | PROJECT NO.<br><b>0043-0131</b> |
| CHECKED BY:<br>ATE       |      |  | APPROVED BY:                               |  | DRAWING TITLE:<br><b>MISCELLANEOUS DETAIL</b> | DRAWING NO.<br><b>MDS-01</b>    |
| REV.                     | DATE | REVISION DESCRIPTION   | SHEET NO.                                  | Plotted Date: 5/28/2020  | Filename: ...VHW_MSH_043_0131_MDS-02.dgn      | SHEET NO.<br><b>03.02</b>       |





**NOTES:**

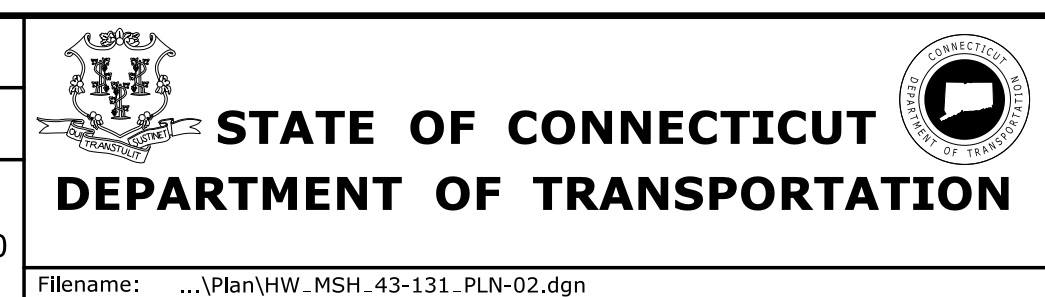
- PAVEMENT STRUCTURE FOR I-95 MILL & OVERLAY IS AS FOLLOWS:  
 1.5" PMA S0.375 TRAFFIC LEVEL 3 ON,  
 1" HMA S0.25 TRAFFIC LEVEL 2

| REV. | DATE | REVISION DESCRIPTION | SHEET NO. |
|------|------|----------------------|-----------|
|      |      |                      |           |
|      |      |                      |           |
|      |      |                      |           |

THE INFORMATION, INCLUDING ESTIMATED QUANTITIES OF WORK, SHOWN ON THESE SHEETS IS BASED ON LIMITED INVESTIGATIONS BY THE STATE AND IS IN NO WAY WARRANTED TO INDICATE THE CONDITIONS OF ACTUAL QUANTITIES OF WORK WHICH WILL BE REQUIRED.

Plotted Date: 5/29/2020

DESIGNER/DRAFTER: JWH  
 CHECKED BY: ATE  
 SCALE IN FEET  
 0 40 80  
 SCALE 1"=40'



SIGNATURE/BLOCK: Matthew Paol  
 APPROVED BY:

PROJECT TITLE:  
**REHABILITATION OF BR. 00186 ON I-95 OVER LAKE SALTONSTALL**

TOWN: **EAST HAVEN & BRANFORD**  
 DRAWING TITLE: **HIGHWAY PLAN**

PROJECT NO. **0043-0131**  
 DRAWING NO. **PLN-02**  
 SHEET NO. **03.04**