

INSTALL NEW CONDUCTORS 3 #8 (LIGHTING) AND 3 #12 (RECEPTACLES) BACK TO EXISTING LP1. RE-CONNECT CIRCUITS AS REQUIRED

INTERCEPT AND CONNECT TO EXISTING 1 1/4" CONDUITS (2)

INSTALL FOUNDATION AT STA. 109+55, 27' R

INTERCEPT AND CONNECT TO EXISTING 1 1/4" CONDUITS (2)

INSTALL NEW CONDUCTORS 3 #8 (LIGHTING) AND 3 #12 (RECEPTACLES) BACK TO EXISTING LP3. RE-CONNECT CIRCUITS AS REQUIRED

INSTALL NEW CONDUCTORS 3 #8 (LIGHTING) AND 3 #12 (RECEPTACLES) BACK TO EXISTING LP4. RE-CONNECT CIRCUITS AS REQUIRED

INTERCEPT AND CONNECT TO EXISTING 1 1/4" CONDUITS (2)

INSTALL FOUNDATION AT STA. 110+96, 23' R

RELOCATE EXISTING CONCRETE HANDHOLE

INSTALL FOUNDATION AT STA. 111+29, 23' R

EXISTING ALUMINUM LIGHT STANDARD AND LUMINAIRE TO BE REMOVED AND RELOCATED BY EVERSOURCE

REMOVE EXISTING FOUNDATION

INSTALL FOUNDATION AT STA. 112+46, 29' R. COORDINATE LOCATION WITH PEDESTRIAN PUSH BUTTON

INTERCEPT AND CONNECT TO EXISTING 1 1/4" CONDUITS (2)

INSTALL NEW CONDUCTORS 3 #8 (LIGHTING) AND 3 #12 (RECEPTACLES) BACK TO EXISTING LP9. RE-CONNECT CIRCUITS AS REQUIRED

INSTALL FOUNDATION AT STA. 113+26, 32' L. COORDINATE LOCATION WITH PEDESTRIAN PUSH BUTTON

LED LUMINAIRE MOUNTED ON COMBINATION TRAFFIC SIGNAL SPAN POLE WITH 15' LUMINAIRE BRACKET ARM. LUMINAIRE POWER FEED (3 #12) FROM TRAFFIC SIGNAL CABINET. SEE ITEM 1005600A

INSTALL FOUNDATION AT STA. 113+63, 27' R. INSTALL FRONT FACE OF FOUNDATION FLUSH WITH BACK FACE OF SIDEWALK.

REMOVE EXISTING FOUNDATION.

INTERCEPT AND CONNECT TO EXISTING 1 1/4" CONDUITS (2)

INSTALL NEW CONDUCTORS 3 #8 (LIGHTING) AND 3 #12 (RECEPTACLES) BACK TO LP10. RE-CONNECT CIRCUITS AS REQUIRED

**ILLUMINATION LEGEND**

- LPX EXISTING POST TOP LIGHT POLE TO REMAIN
- EXISTING UTILITY LIGHT STANDARD TO REMAIN (U.O.N.)
- EXISTING POST TOP LIGHT POLE TO BE REMOVED AND RELOCATED TO NEW FOUNDATION (EXISTING FOUNDATION TO BE REMOVED)
- LPX RELOCATED POST TOP LIGHT POLE (U.O.N.)
- RELOCATED UTILITY LIGHT STANDARD (WORK BY UTILITY CO.)
- LED LUMINAIRE - ±130W, ±18,000 LUMEN, TYPE 3 DIST.
- EXISTING HANDHOLE
- (2) 1 1/4" PVC CONDUIT - ONE CONDUIT WITH 3 #8 (LIGHTING) AND ONE CONDUIT WITH 3 #12 (RECEPTACLES)
- EXISTING 1 1/4" PVC CONDUITS (2) - ONE CONDUIT WITH 3 #8 (LIGHTING) AND ONE CONDUIT WITH 3 #12 (RECEPTACLES). REMOVE EXISTING CONDUCTORS AND INSTALL NEW CONDUCTORS BACK TO INDICATED SPLICE POINT

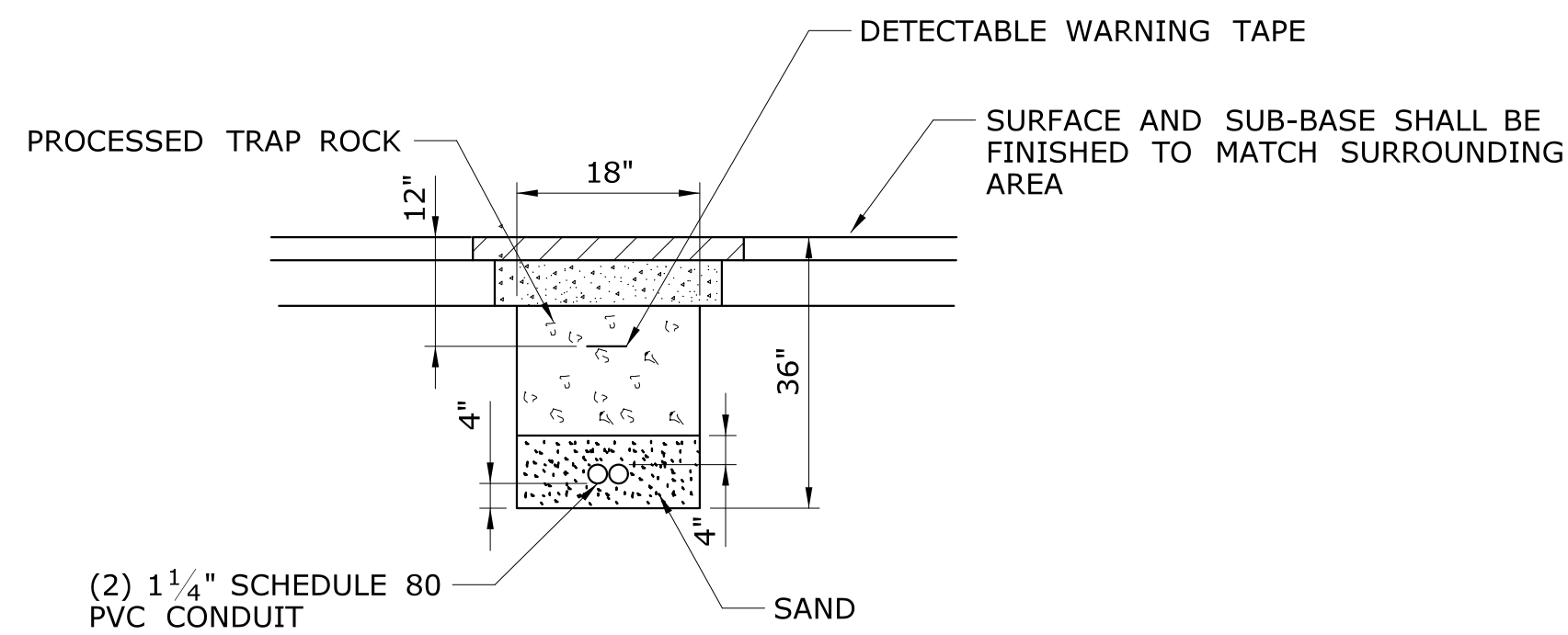
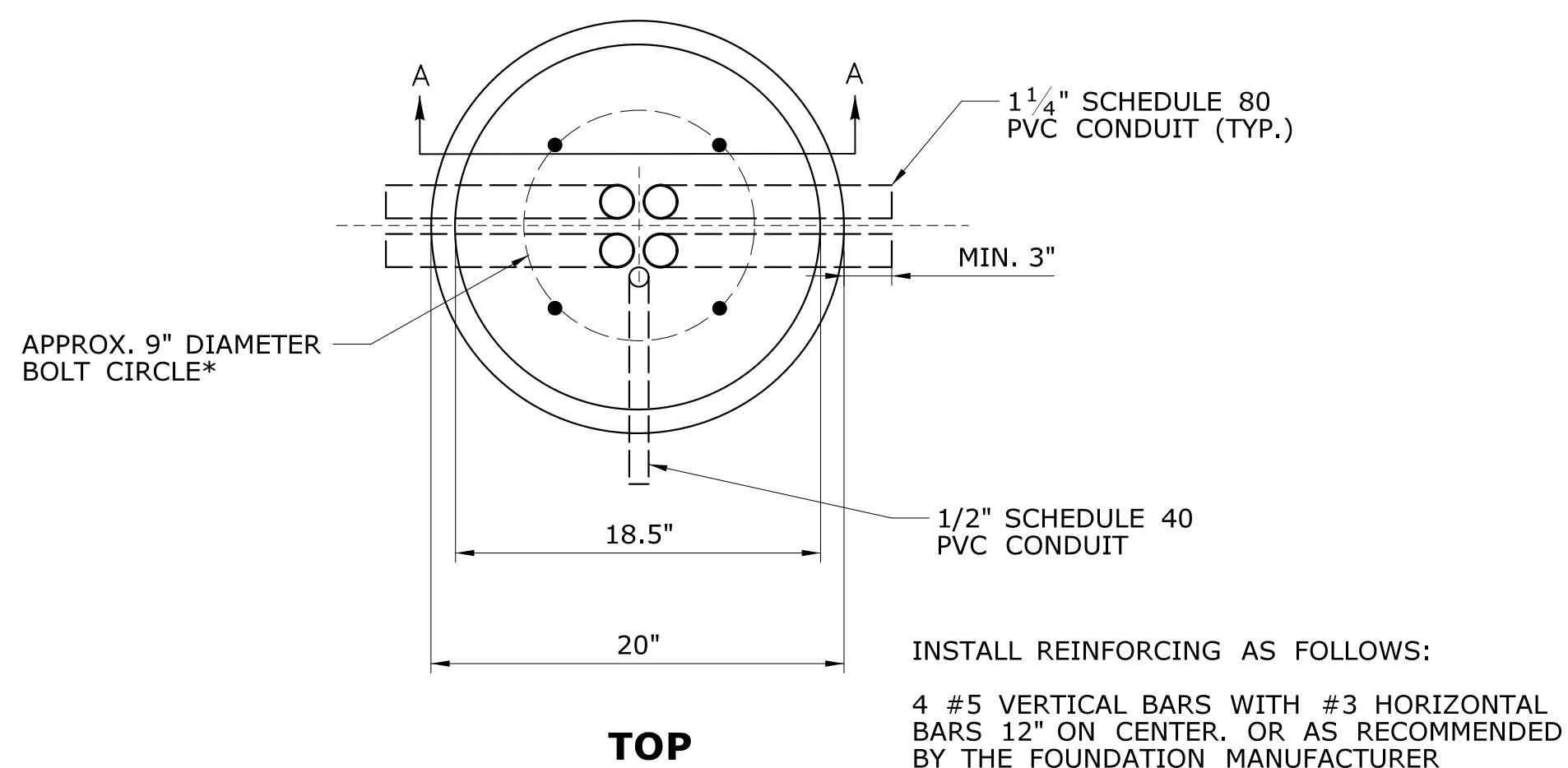
**GENERAL NOTES**

- 1) ALL ELECTRICAL WORK SHALL CONFORM TO THE NATIONAL ELECTRIC CODE, CONNECTICUT STANDARD SPECIFICATIONS, AND WHERE APPLICABLE, UTILITY COMPANY REGULATIONS.
- 2) CONDUCTORS SHALL BE COPPER, INSULATION TYPE THWN AND RATED FOR 600 VOLTS. SINGLE PHASE COLORS SHALL BE BLACK, RED, WHITE AND GREEN.
- 3) WHERE EXISTING CONDUIT IS TO BE RE-USED, THE CONTRACTOR SHALL REMOVE AND DISPOSE OF ALL EXISTING CONDUCTORS WITHIN THE CONDUIT.
- 4) ALL PVC CONDUIT SHALL BE SCHEDULE 80 (U.O.N.).
- 5) THE CONTRACTOR SHALL CONTACT MR. JACOB MULLER OF THE TOWN OF RIDGEFIELD (203-431-2720) TO OBTAIN THE POST TOP LIGHT STANDARD TO BE INSTALLED AT THE INTERSECTION OF MAIN STREET AND PROSPECT STREET (LP8) - SEE SPECIAL PROVISION FOR ITEM NO. 1003596A.
- 6) EXISTING LIGHTING CIRCUITS ARE 240 VOLT. THE LIGHTING CONTROL CABINET IS LOCATED ON BAILEY AVENUE. CONTACT MR. JACOB MULLER OF THE TOWN OF RIDGEFIELD (203-431-2720) WHEN ACCESS TO THE CABINET IS REQUIRED.
- 7) ALL BRANCH CIRCUITS SHALL INCLUDE AN EQUIPMENT GROUNDING CONDUCTOR (LIGHTING #8 AWG, RECEPTACLE #12 AWG).
- 8) LIGHT STANDARD LOCATIONS INDICATED ON THIS PLAN (BY STATION NO. AND BASELINE OFFSET) ARE APPROXIMATE. CONTRACTOR SHALL COORDINATE LOCATIONS WITH ENGINEER. LOCATIONS CAN BE ADJUSTED (WITH ENGINEER'S APPROVAL) TO AVOID CONFLICTS WITH OTHER FACILITIES.

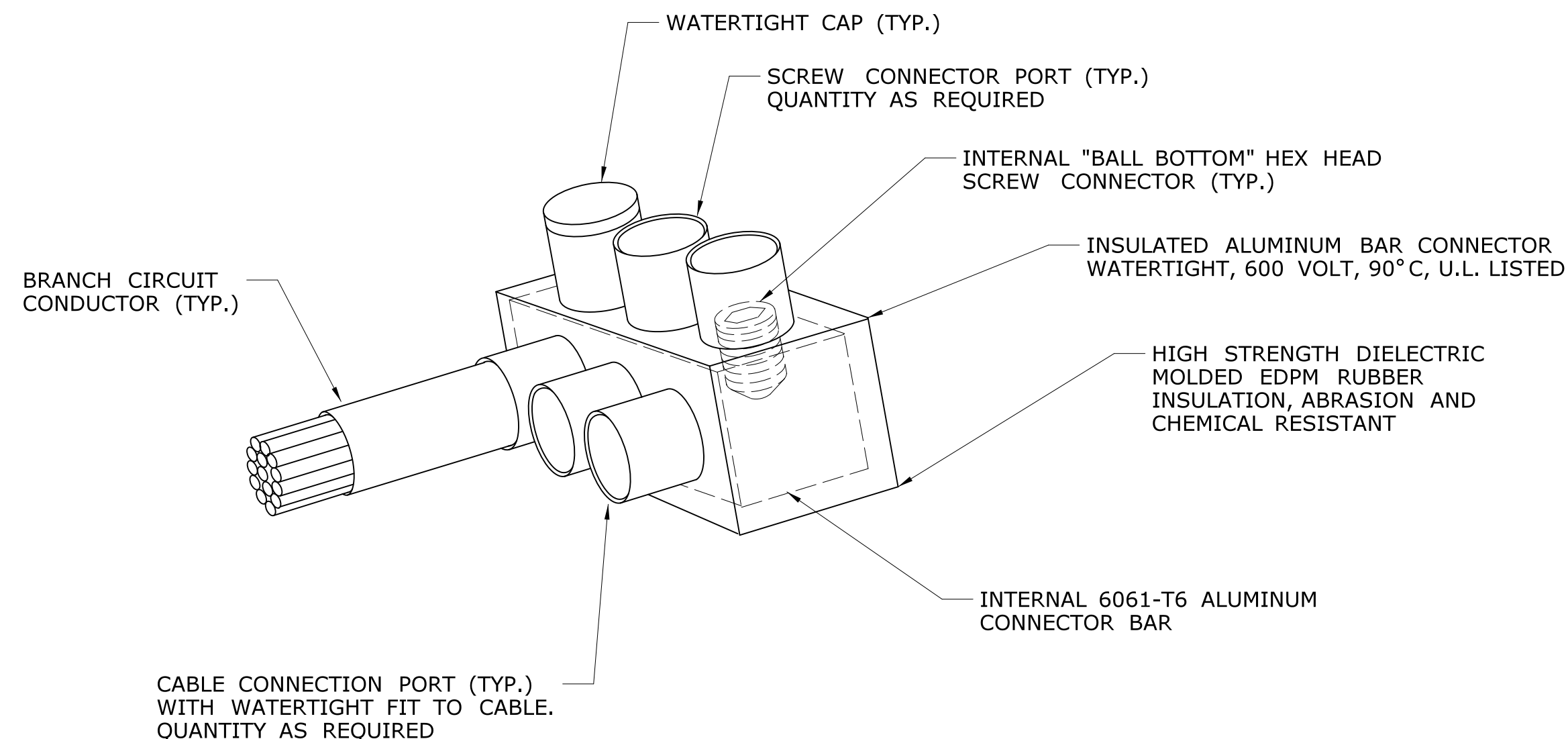
	THE INFORMATION, INCLUDING ESTIMATED QUANTITIES OF WORK SHOWN ON THESE SHEETS IS BASED ON LIMITED INVESTIGATIONS BY THE STATE AND IS IN NO WAY WARRANTED TO INDICATE THE CONDITIONS OF ACTUAL QUANTITIES OF WORK WHICH WILL BE REQUIRED.	DESIGNER/DRAFTER: MSB CHECKED BY: JA SCALE IN FEET 0 20 40 SCALE 1"=20'	<p><b>STATE OF CONNECTICUT</b> DEPARTMENT OF TRANSPORTATION</p>	SIGNATURE/BLOCK:  OFFICE OF ENGINEERING APPROVED BY:	PROJECT TITLE: <b>INTERSECTION IMPROVEMENTS ON CT ROUTE 35</b>	TOWN: <b>RIDGEFIELD</b>	PROJECT NO. <b>0117-0159</b> DRAWING NO. <b>ILL-02</b> SHEET NO. <b>06.02</b>
REV.	DATE	REVISION DESCRIPTION	SHEET NO.	Plotted Date: 6/11/2021	Filename: ...engineering_data\ILL-02.dgn		

\*CONTRACTOR SHALL VERIFY BOLT CIRCLE DIAMETER OF POLE BASE WITH THE POLE MANUFACTURER PRIOR TO ORDERING FOUNDATIONS

FOUNDATION SHALL BE PRE-CAST WITH MANUFACTURER'S IDENTIFICATION AND MONTH/YEAR WHEN MANUFACTURED LEGIBLY MARKED ON THE TOP SURFACE

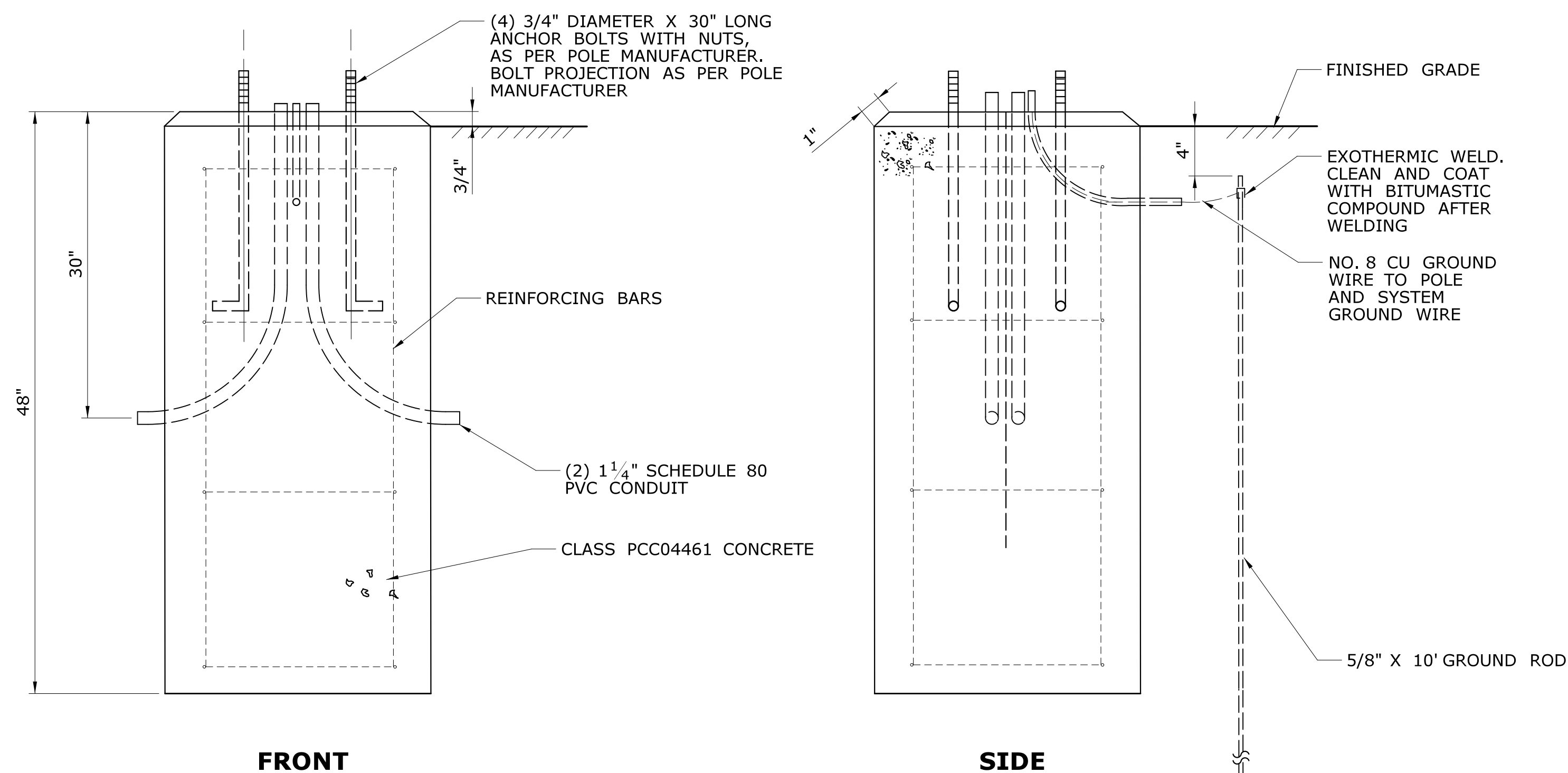


**CONDUIT TRENCHING AND BACKFILLING**

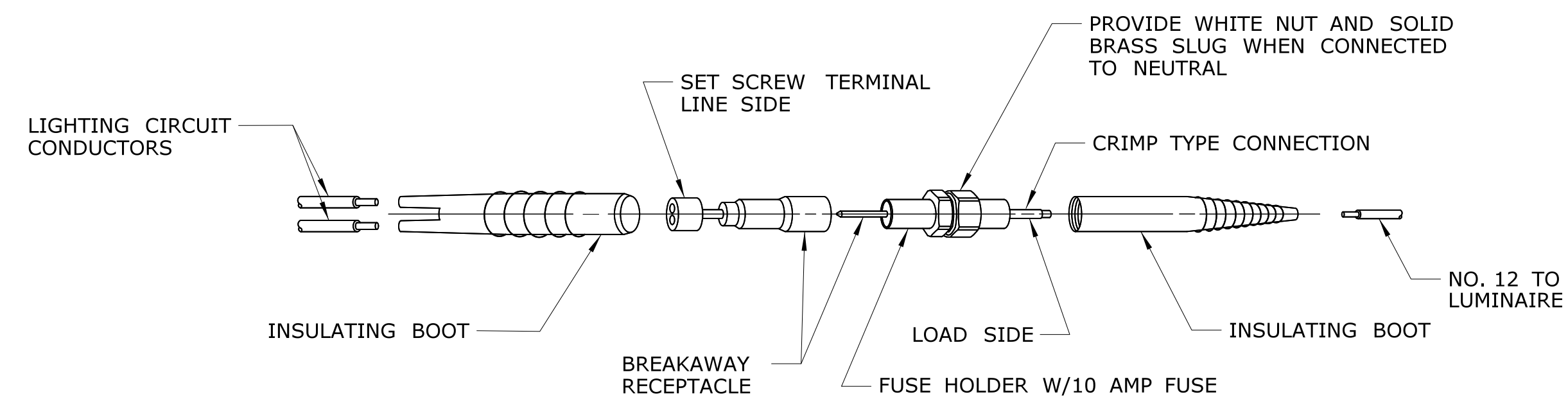


**WATERTIGHT CONNECTOR**

TO BE USED IN HANDHOLES AND PULL BOXES



**DECORATIVE LIGHT POLE FOUNDATION**



**BREAKAWAY FUSE CONNECTOR**

THE INFORMATION, INCLUDING ESTIMATED QUANTITIES OF WORK SHOWN ON THESE SHEETS IS BASED ON LIMITED INVESTIGATIONS BY THE STATE AND IS IN NO WAY WARRANTED TO INDICATE THE CONDITIONS OF ACTUAL QUANTITIES OF WORK WHICH WILL BE REQUIRED.		DESIGNER/DRAFTER: <b>MSB</b> CHECKED BY: <b>JA</b> NO SCALE	<p><b>STATE OF CONNECTICUT</b> <b>DEPARTMENT OF TRANSPORTATION</b></p> <p>Signature: <i>Chapman</i></p>	PROJECT TITLE: <b>INTERSECTION IMPROVEMENTS ON CT ROUTE 35</b>	TOWN: <b>RIDGEFIELD</b>	PROJECT NO. <b>0117-0159</b> DRAWING NO. <b>ILL-03</b> SHEET NO. <b>06.03</b>
REV. DATE REVISION DESCRIPTION SHEET NO.	Plotted Date: 6/11/2021	Filename: ...engineering_data\ILL-03.dgn		DRAWING TITLE: <b>ILLUMINATION DETAILS</b>		