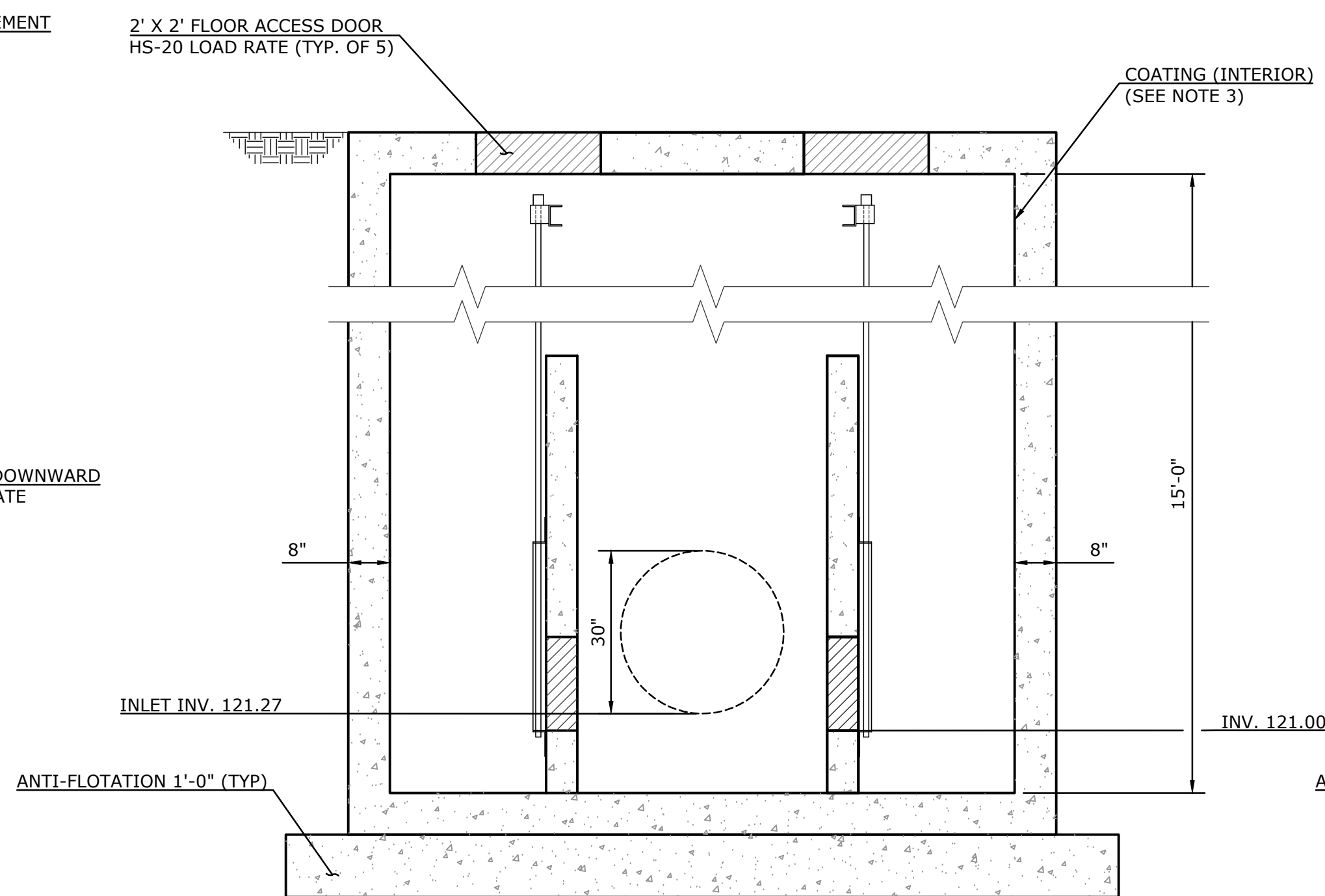
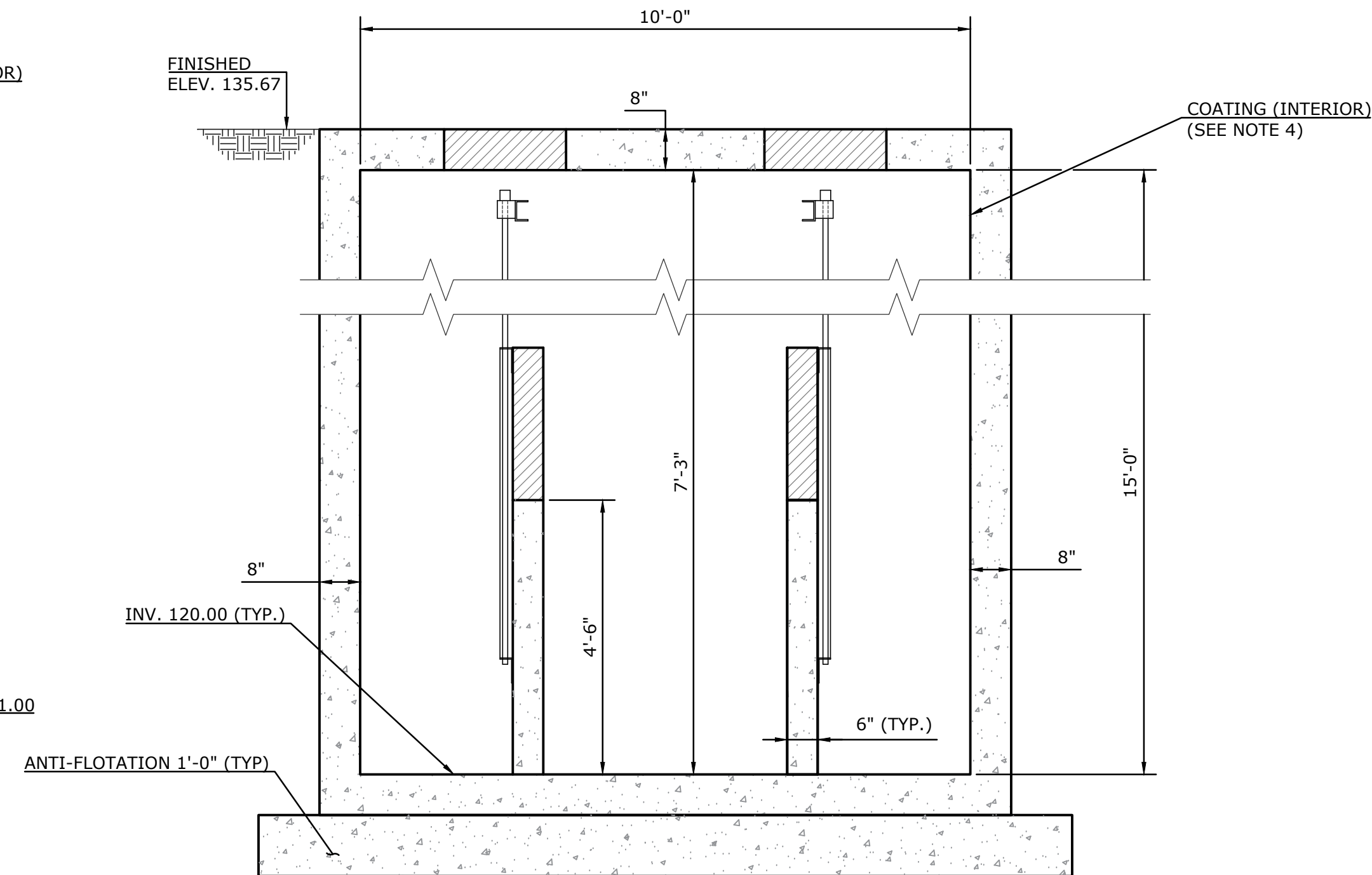


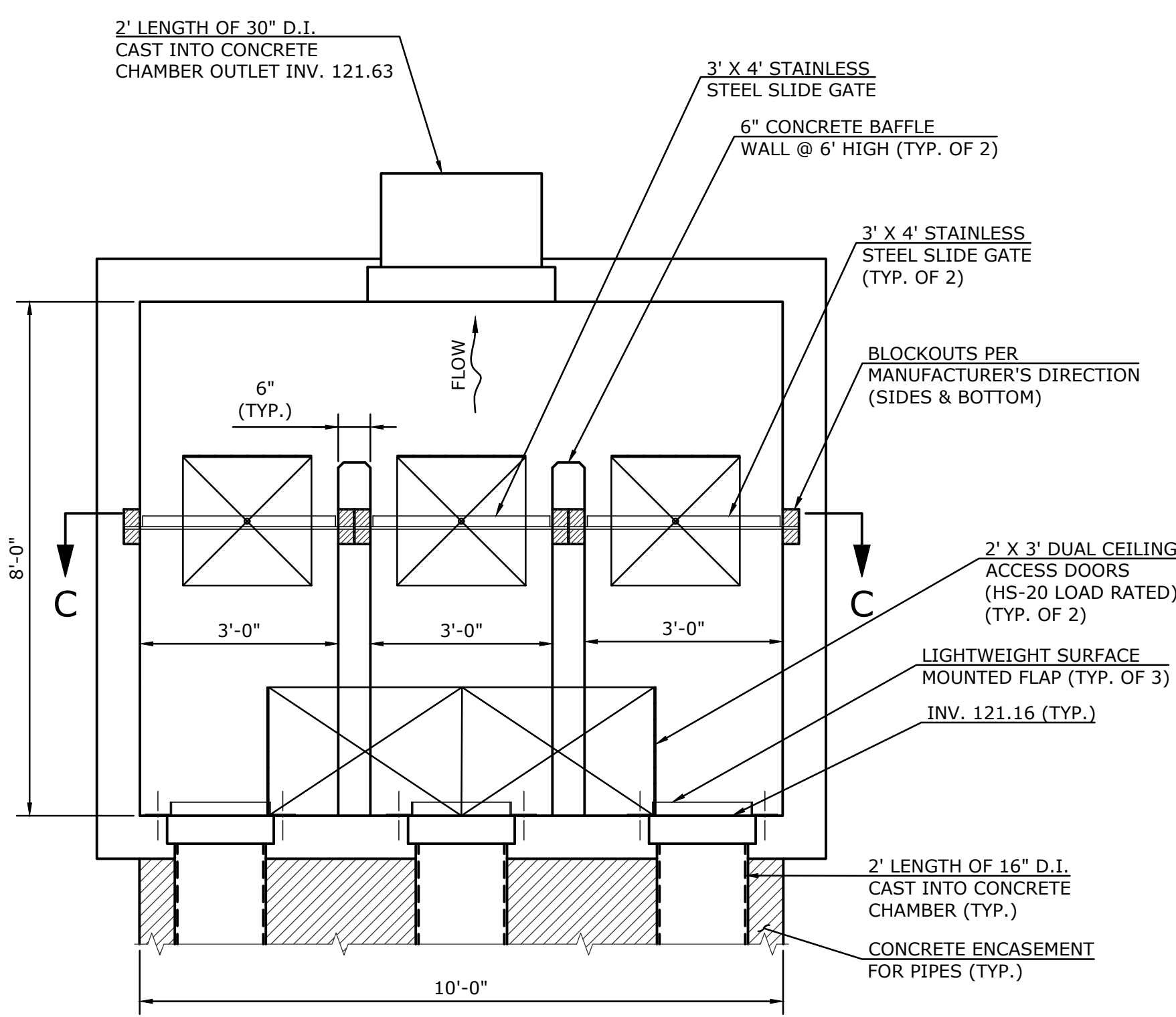
**INLET PLAN**  
SCALE: 1/2" = 1'-0"



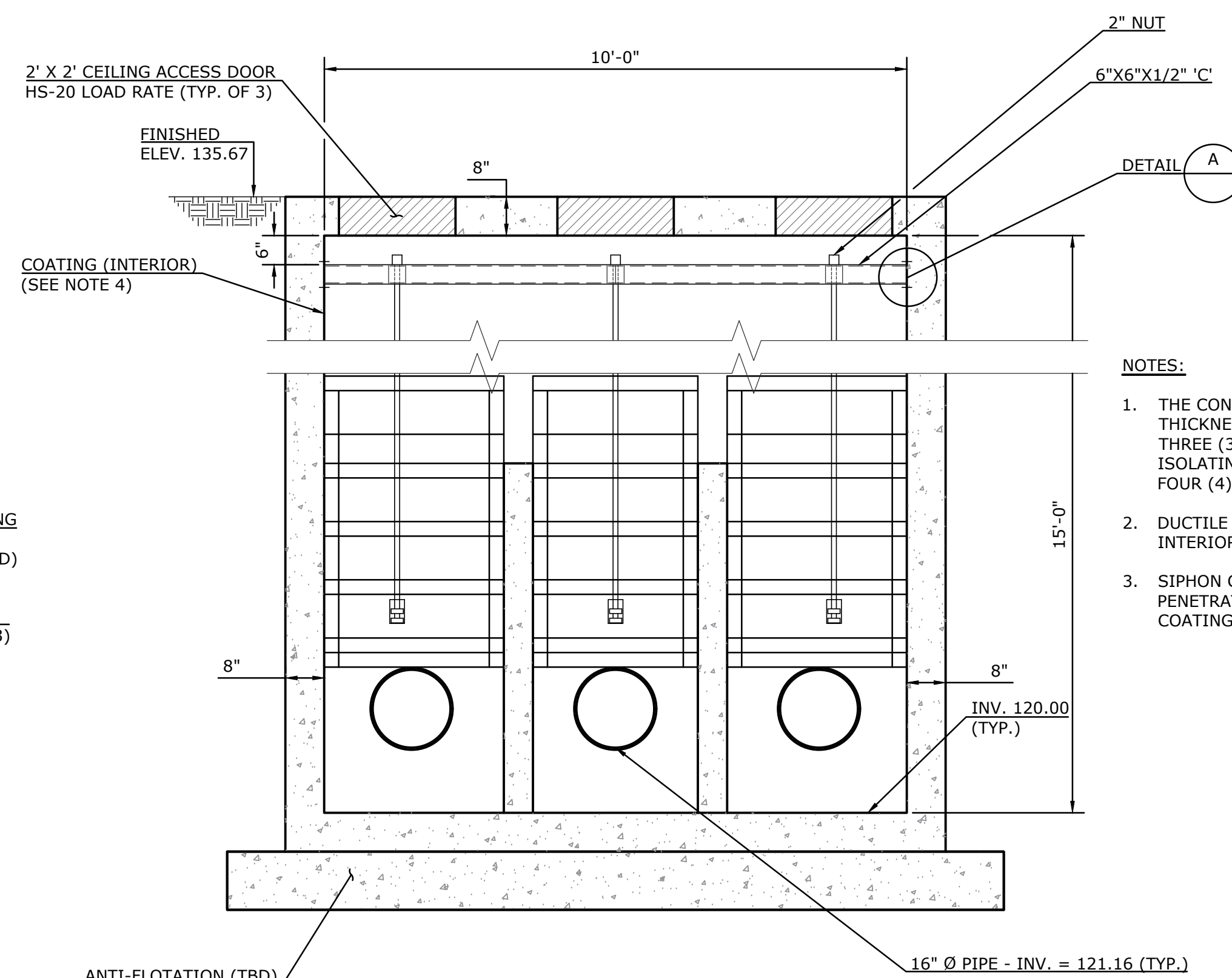
**INLET ELEVATION PLAN SECTION B-B**  
SCALE: 1/2" = 1'-0"



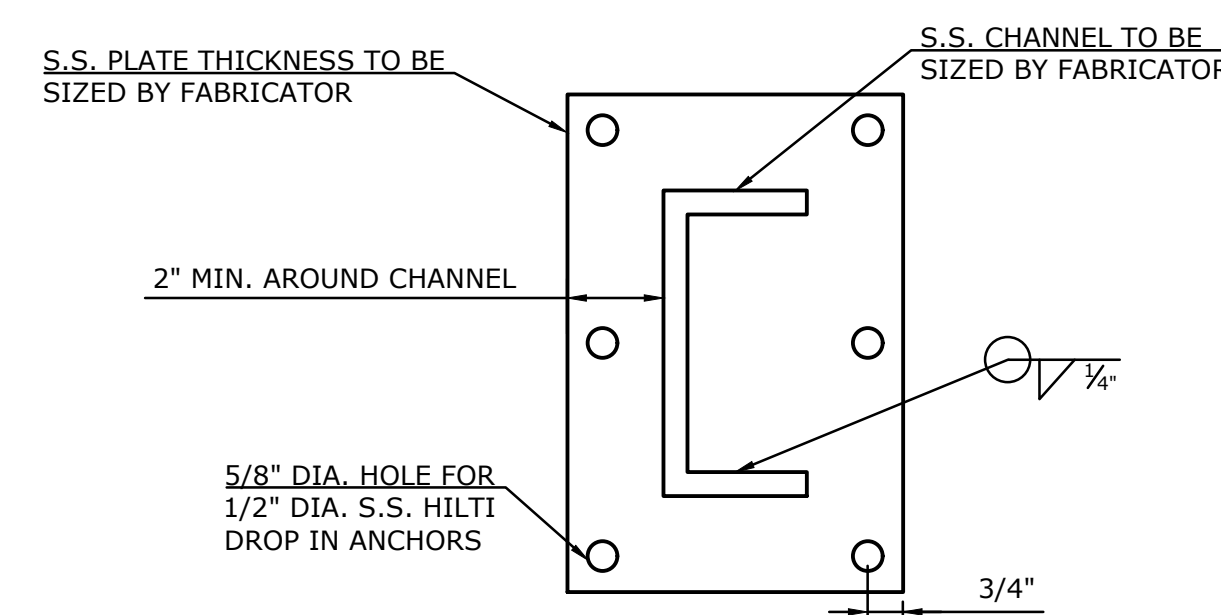
**INLET ELEVATION PLAN SECTION A-A**  
SCALE: 1/2" = 1'-0"



**OUTLET PLAN**  
SCALE: 1/2" = 1'-0"



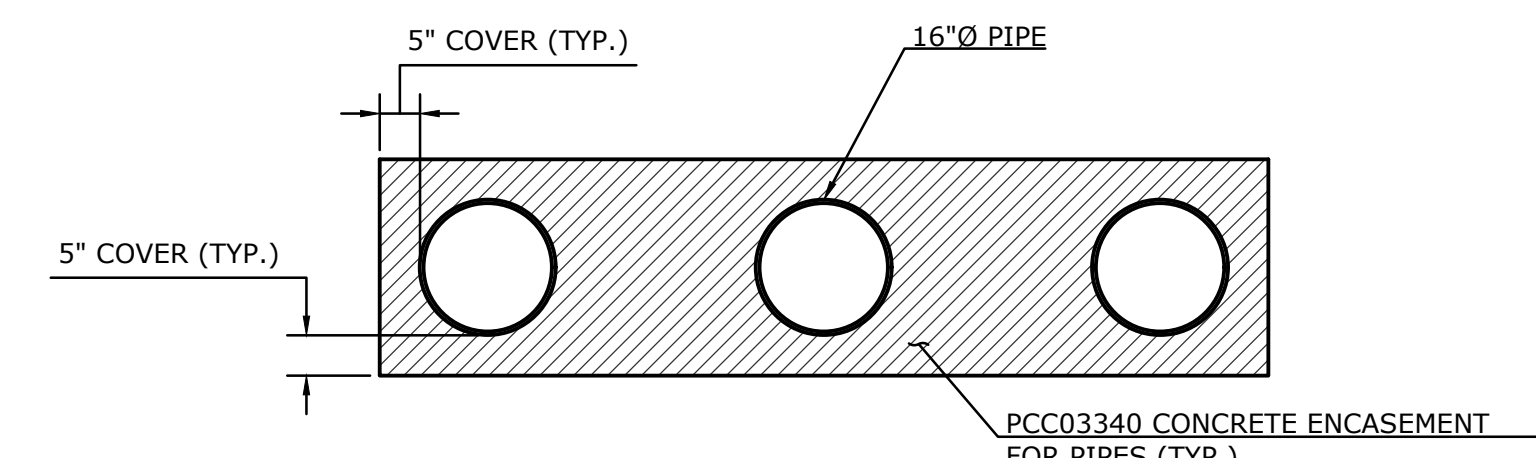
**OUTLET ELEVATION PLAN SECTION C-C**  
SCALE: 1/2" = 1'-0"



**END PLATE MOUNTING DETAIL "A"**  
SCALE: 3" = 1'-0"

**NOTES:**

1. THE CONTRACTOR IS TO ENSURE THAT THE GUIDEWALL THICKNESS IN THE OUTLET SIPHON CHAMBER ALLOW FOR THREE (3) EQUAL WIDTH STOP GATES TO BE USED FOR ISOLATING SIPHON PIPES. THE CONTRACTOR SHALL FURNISH FOUR (4) STOP GATES. ONE SPARE DELIVERED TO THE TOWN.
2. DUCTILE IRON GRAVITY SEWER PIPE IS TO BE FURNISHED WITH INTERIOR CERAMIC EPOXY COATING.
3. SIPHON CHAMBERS ARE TO BE PROVIDED WITH INTERIOR AND PENETRATIONS HAVING A CORROSION INHIBITING EPOXY COATING.



**PIPE ENCASEMENT SECTION**  
SCALE: 1/2" = 1'-0"

THE INFORMATION, INCLUDING ESTIMATED QUANTITIES OF WORK SHOWN ON THESE SHEETS IS BASED ON LIMITED INVESTIGATIONS BY THE TOWN AND IS IN NO WAY WARRANTED TO INDICATE THE TRUE CONDITIONS OR ACTUAL QUANTITIES OR DISTRIBUTION OF QUANTITIES OF WORK WHICH WILL BE REQUIRED.

NO.	DATE	DESCRIPTION
1	11/19/2024	SHEET REVISED
<b>REVISIONS</b>		

SUPV.	J.A.C.
DESIGN	M.E.F.
DRAWN	M.R.G.
CHECKED	K.O.E.
DATE	03/17/2022

**WMC**  
CONSULTING ENGINEERS  
WENGELL, McDONNELL & COSTELLO  
87 HOLMES ROAD  
NEWINGTON, CT 06111  
(860) 667-9624

**PREPARED FOR**  
CITY OF MERIDEN  
142 EAST MAIN STREET  
MERIDEN, CONNECTICUT 06450

**REPLACEMENT OF CENTER STREET BRIDGE OVER HARBOR BROOK  
SANITARY SEWER SIPHON DETAILS**

D - CENTER STREET	D.C.D.	00056.55	SHEET	13
SIZE	PROJECT	FILE NAME	NUMBER	REV. OF
				40