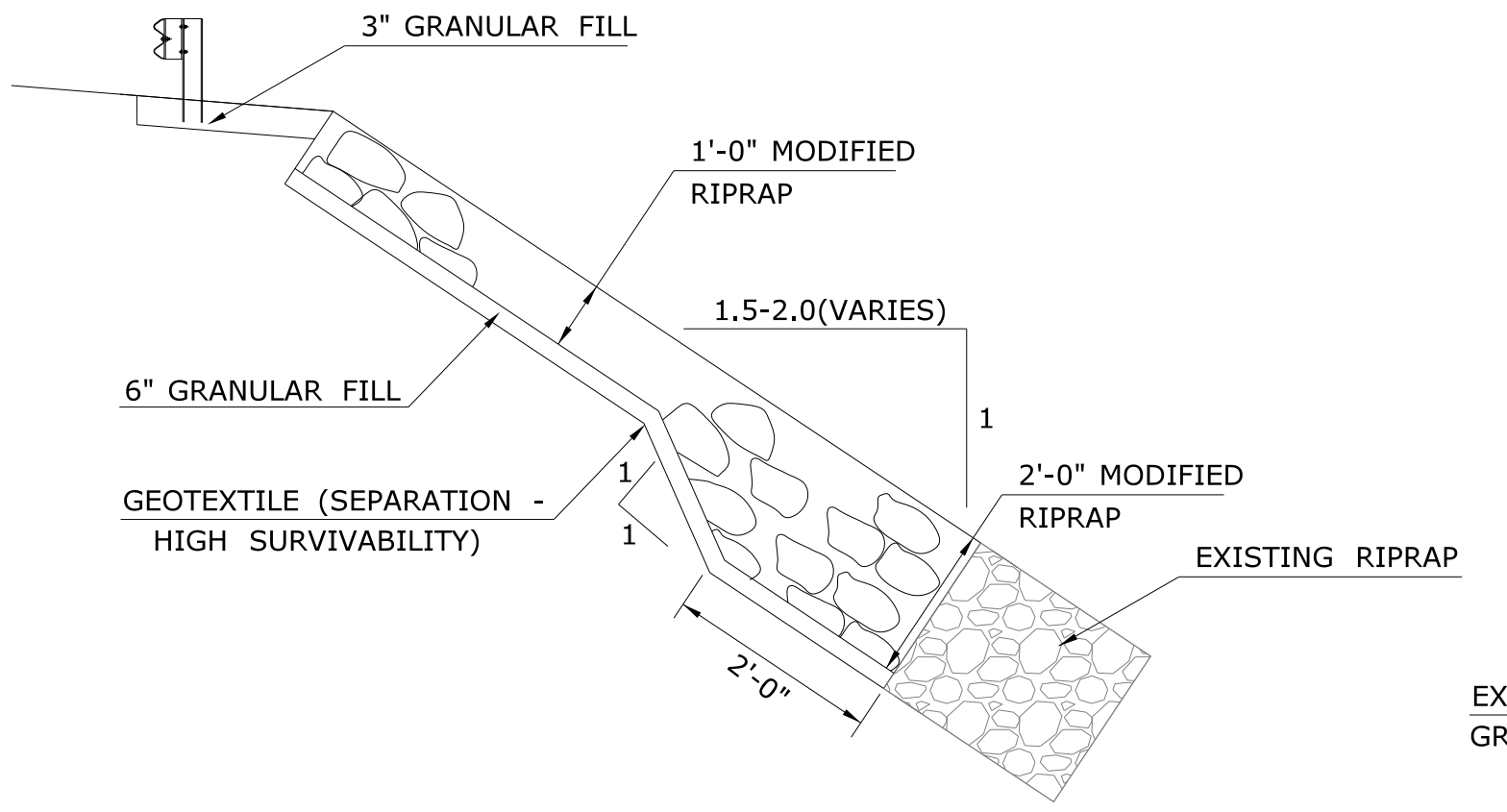


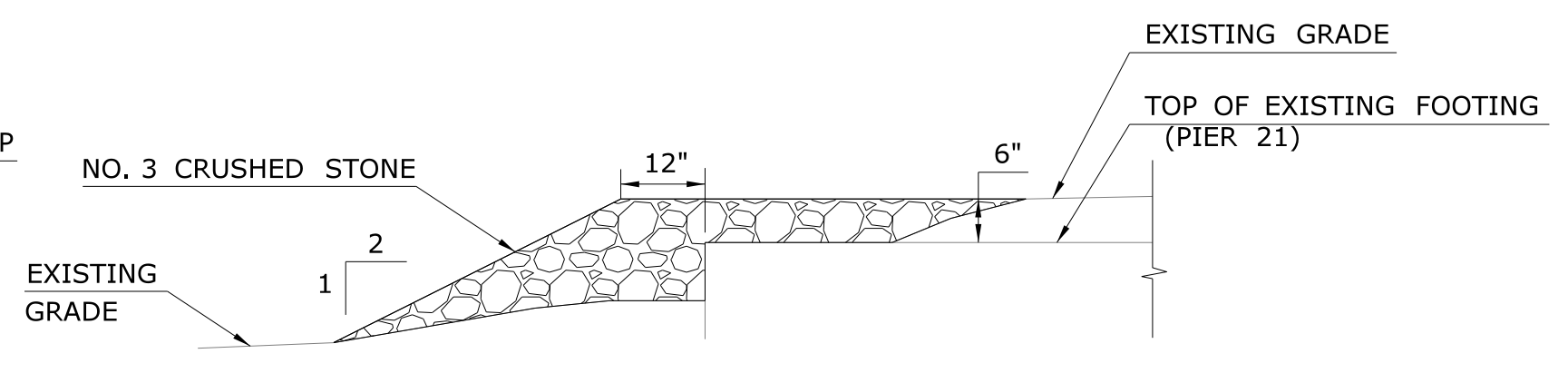
**ANTI-TRACKING PAD**  
SCALE: NTS

**CONSTRUCTION ACCESS ROAD CURVE DATA**

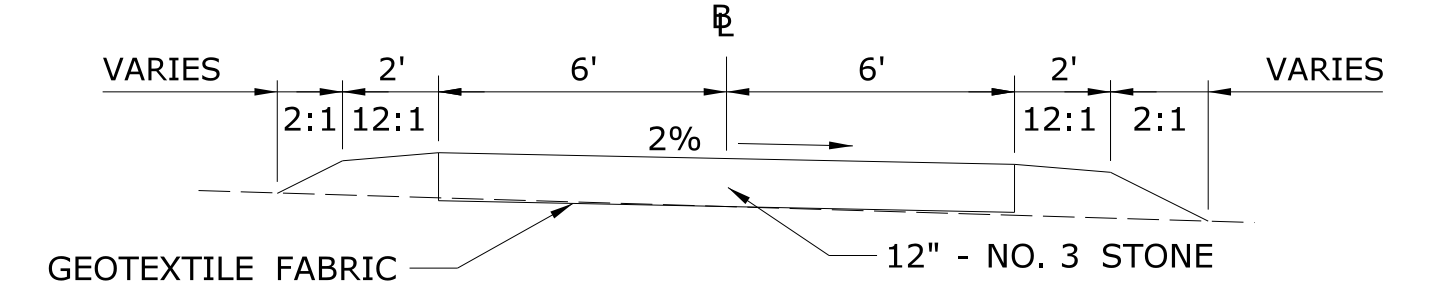
CURVE #1	CURVE #2	CURVE #3
Delta = 48° 43'51.29"	Delta = 6° 11'06.91"	Delta = 7° 25'14.38"
D = 57° 17'44.81"	D = 28° 38'52.40"	D = 28° 38'52.40"
T = 45.29	T = 10.81	T = 12.97
L = 85.05	L = 21.59	L = 25.90
R = 100.00	R = 200.00	R = 200.00
PI N 833804.39	PI N 833784.54	PI N 833791.04
PI E 1011282.28	PI E 1011614.89	PI E 1011749.06



**MODIFIED RIPRAP FOR SLOPE PROTECTION**  
SCALE: NTS



**TREATMENT AT EXPOSED FOOTING (PIER 21)**  
SCALE: NTS



**TYPICAL SECTION TEMPORARY CONSTRUCTION ACCESS ROAD**  
SCALE: NTS

- NOTES:
- SEE SHEET TRA-03 FOR MAINTENANCE AND PROTECTION OF TRAFFIC DETAILS
  - SEE SHEET HWY-05 FOR TEMPORARY CONSTRUCTION ACCESS ROAD PROFILES
  - UPON COMPLETION OF CONSTRUCTION, REMOVE ACCESS ROAD AND RETURN AREA TO EXISTING CONDITION
  - IF REQUIRED, RESTORATION TO WETLANDS IDENTIFIED AS TEMPORARY IMPACTS ON THE PERMIT PLANS WILL BE PAID UNDER "WETLAND GRASS ESTABLISHMENT"

**ADDENDUM NO. 2**

1 10/20/17 MDC FACILITY PROTECTION REVISION DESCRIPTION SHEET NO. 03.04.A2 REV. DATE REVISION DESCRIPTION SHEET NO.	THE INFORMATION, INCLUDING ESTIMATED QUANTITIES OF WORK SHOWN ON THESE SHEETS IS BASED ON LIMITED INVESTIGATIONS BY THE STATE AND IS IN NO WAY WARRANTED TO INDICATE THE CONDITIONS OF ACTUAL QUANTITIES OF WORK WHICH WILL BE REQUIRED.	DESIGNER/DRAFTER: <b>J. KOERNER</b> CHECKED BY: <b>S. DRECHSLER</b> <b>STATE OF CONNECTICUT</b> <b>DEPARTMENT OF TRANSPORTATION</b> SCALE AS NOTED	SIGNATURE/BLOCK:  Alfred Benesch & Co. Company 90 National Drive Glastonbury, CT	PROJECT TITLE: <b>REHABILITATION OF BRIDGE NOS. 03367 &amp; 03368</b>	TOWN: <b>HARTFORD</b>	PROJECT NO.: <b>063-705</b> DRAWING NO.: <b>HWY-04</b> SHEET NO.: <b>03.04.A2</b>
--	--	--	---	--	--------------------------	---