



**SUPPLEMENT NO. 3**

**October 25, 2017**

**STATE OFFICE BUILDING RENOVATIONS  
NEW PARKING GARAGE  
GILBANE JOB NO. J06930.000  
STATE PROJECT NO. BI-2B-381 CMR**

Bid Packages:  
31B-R Site Concrete, Paving & Curbing

**NOTE: TO DOWNLOAD THE ENTIRE SUPPLEMENT, INCLUDING ATTACHMENTS GO  
TO <ftp://files.gilbanetech.com>, enter USER NAME: CTSOB PASSWORD: Gilbane**

The following items are hereby made part of the bid documents for State Office Building Renovation and New Parking Garage Project:

1. The bid date and time has changed for Bid Package **31B-R**. The revised bid date is October 31, 2017 at 1:00PM. Bids must be delivered to Gilbane Building Company, 208 New London Turnpike, Glastonbury, CT 06033 before or by the close of the bid period. Late Bids will be rejected and returned unopened. The bid opening will occur immediately following the close of the bid period.
2. Reference section 00 42 26 – 31B-R bid form, Subsection L – Scope of Work, Specific Items; add the following:
  19. Provide the landform structure, including the corten steel and concrete base structure. See 1/CD-513, 2/CD-513, 3/CD-513 (as revised via Addendum #6) and other similar details.
3. BP31B-R SK-01 dated October 25, 2017, attached.

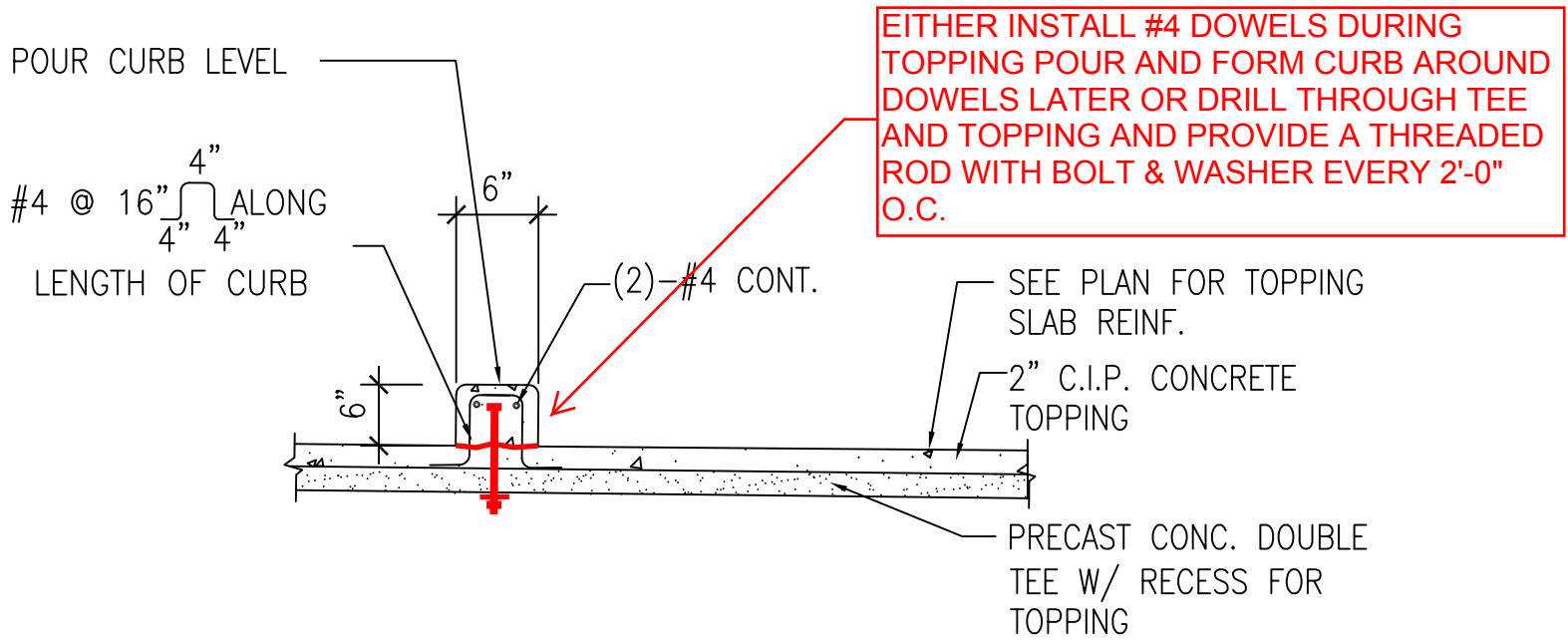
All other terms and conditions remain unchanged. Acknowledge your receipt and inclusion of this Supplement 3 on the Proposal Form in the space provided.

Sincerely,  
GILBANE BUILDING COMPANY

Patrick J. Delany  
Chief Purchasing Agent I

Cc: A. Shamas – Gilbane  
File

-----End of Supplement 3 -----



3 TYP. CURB DETAIL  
 CURB ON SUPPORTED LEVEL