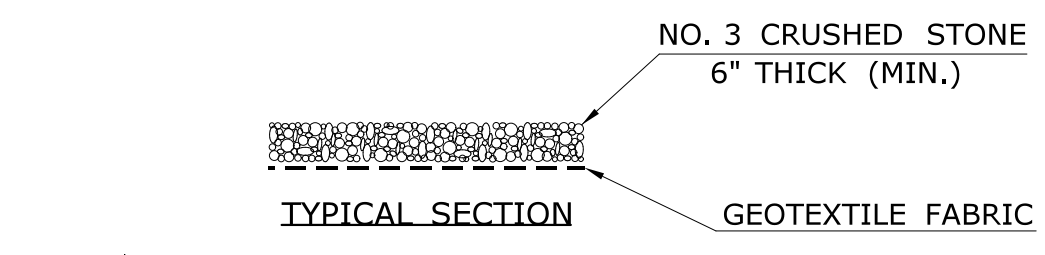


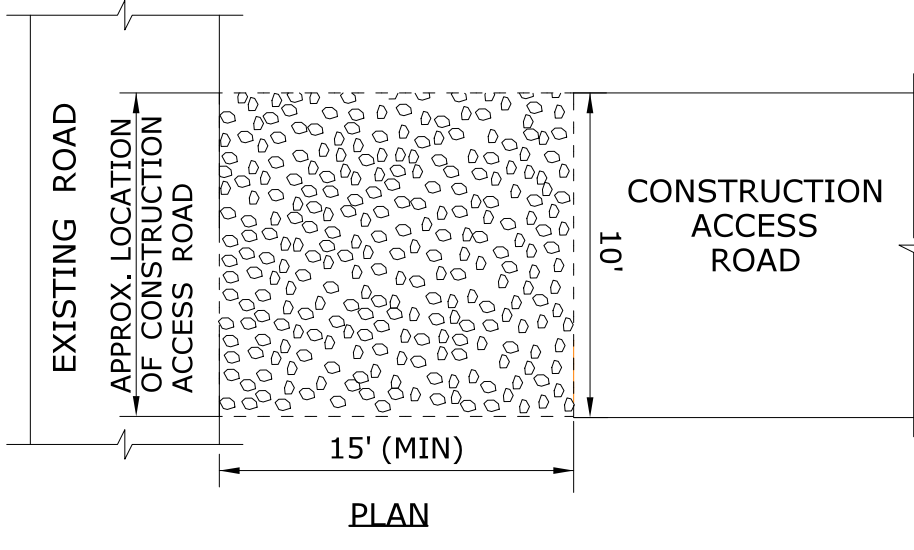
PLAN
SCALE: 1" = 40'

DESIGNED BY:
ALFRED BENESCH & CO.

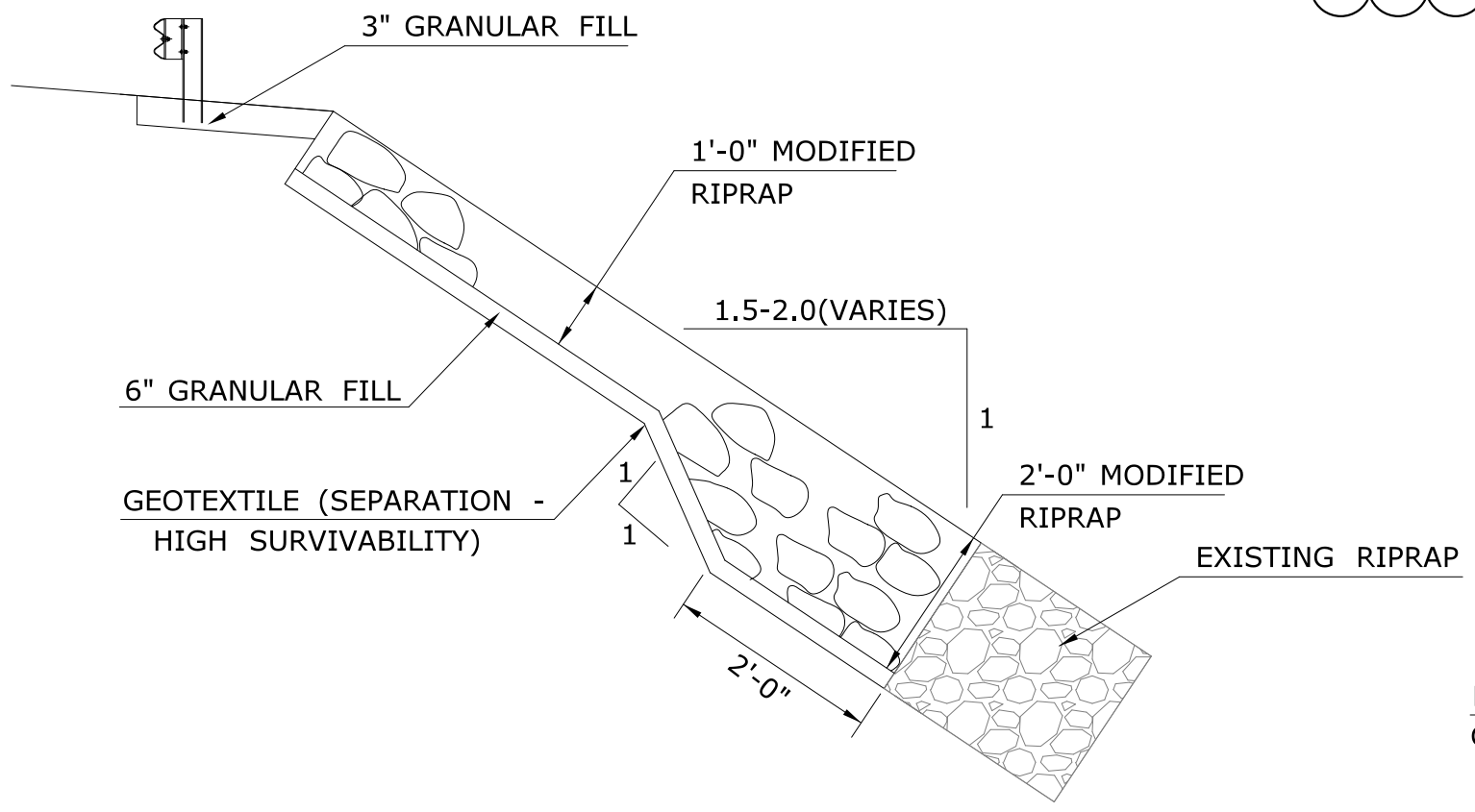
- NOTES:
- SEE SHEET TRA-03 FOR MAINTENANCE AND PROTECTION OF TRAFFIC DETAILS
 - SEE SHEET HWY-05 FOR TEMPORARY CONSTRUCTION ACCESS ROAD PROFILES
 - UPON COMPLETION OF CONSTRUCTION, REMOVE ACCESS ROAD AND RETURN AREA TO EXISTING CONDITION
 - IF REQUIRED, RESTORATION TO WETLANDS IDENTIFIED AS TEMPORARY IMPACTS ON THE PERMIT PLANS WILL BE PAID UNDER "WETLAND GRASS ESTABLISHMENT"



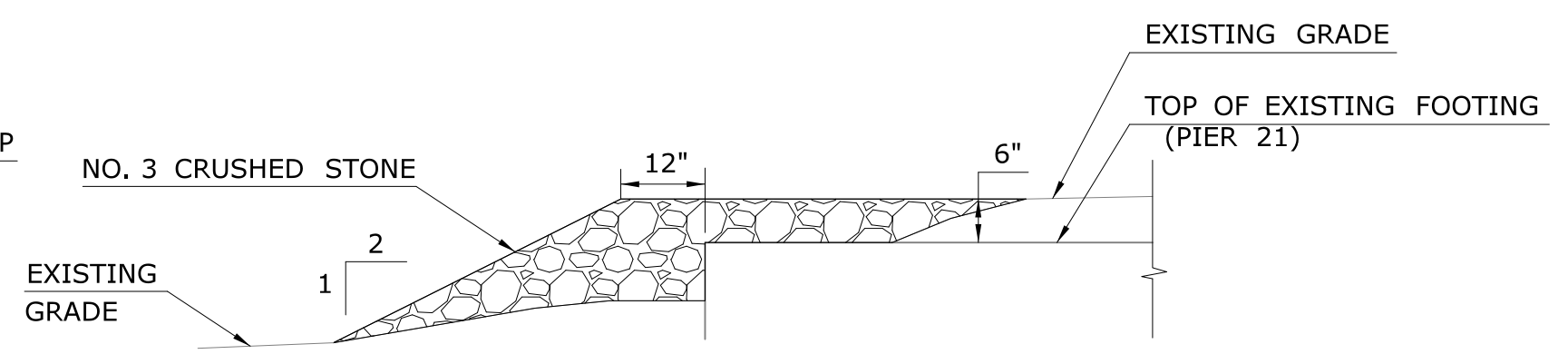
TYPICAL SECTION



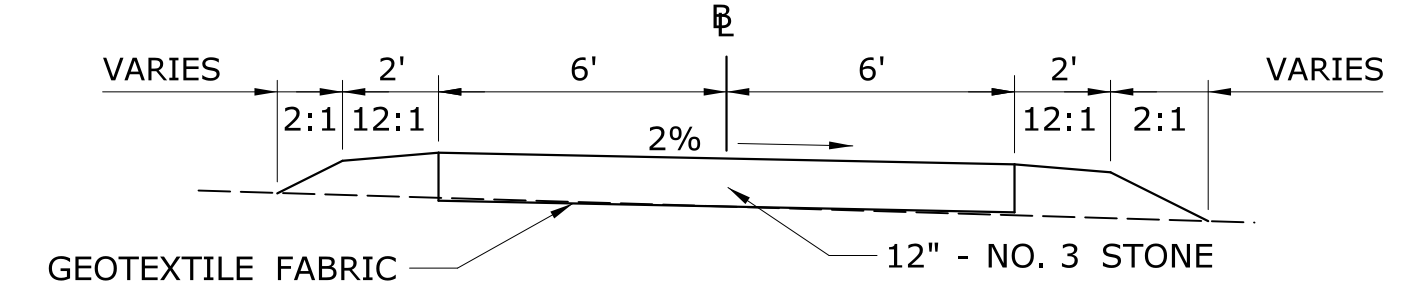
ANTI-TRACKING PAD
SCALE: NTS



MODIFIED RIPRAP FOR SLOPE PROTECTION
SCALE: NTS



TREATMENT AT EXPOSED FOOTING (PIER 21)
SCALE: NTS



TYPICAL SECTION TEMPORARY CONSTRUCTION ACCESS ROAD
SCALE: NTS

CURVE DATA

CURVE #1	CURVE #2	CURVE #3
Delta = 48° 43'51.29"	Delta = 6° 11'06.91"	Delta = 7° 25'14.38"
D = 57° 17'44.81"	D = 28° 38'52.40"	D = 28° 38'52.40"
T = 45.29	T = 10.81	T = 12.97
L = 85.05	L = 21.59	L = 25.90
R = 100.00	R = 200.00	R = 200.00
PI N 833804.39	PI N 833784.54	PI N 833791.04
PI E 1011282.28	PI E 1011614.89	PI E 1011749.06

ADDENDUM NO. 3

2 11/16/17 ADDITIONAL ACCESS TO ACCESS ROAD 03.04.A3 1 10/20/17 MDC FACILITY PROTECTION 03.04.A2 REV. DATE REVISION DESCRIPTION SHEET NO.	THE INFORMATION, INCLUDING ESTIMATED QUANTITIES OF WORK, SHOWN ON THESE SHEETS IS BASED ON LIMITED INVESTIGATIONS BY THE STATE AND IS IN NO WAY WARRANTED TO INDICATE THE CONDITIONS OF ACTUAL QUANTITIES OF WORK WHICH WILL BE REQUIRED.	DESIGNER/DRAFTER: J. KOERNER CHECKED BY: S. DRECHSLER	STATE OF CONNECTICUT DEPARTMENT OF TRANSPORTATION	SIGNATURE/BLOCK: Alfred Benesch & Company 90 National Drive Glastonbury, CT	PROJECT TITLE: REHABILITATION OF BRIDGE NOS. 03367 & 03368	TOWN: HARTFORD	PROJECT NO. 063-705
	Plotted Date: \$DATES Filename: \$FILES	SCALE AS NOTED	DRAWING TITLE: CONSTRUCTION ACCESS ROAD	SHEET NO. 03.04.A3			