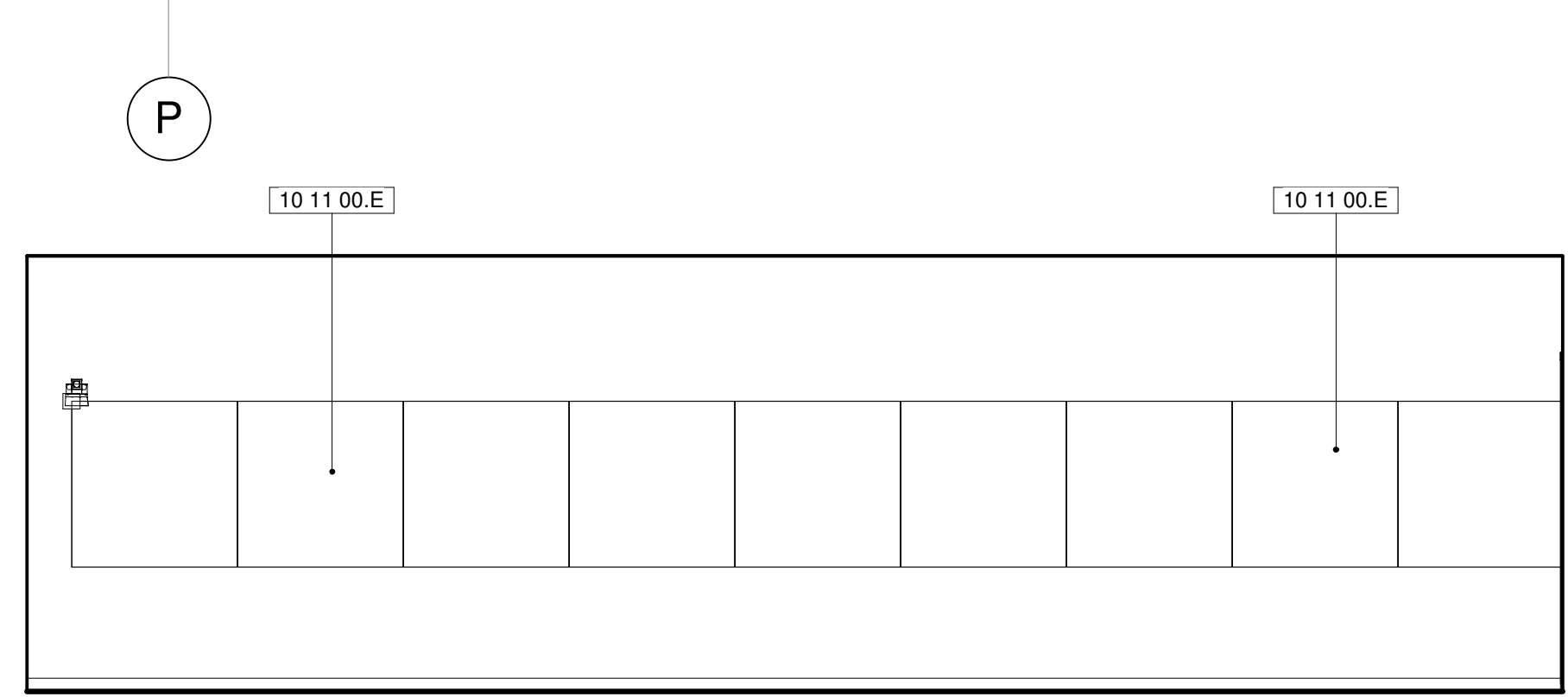
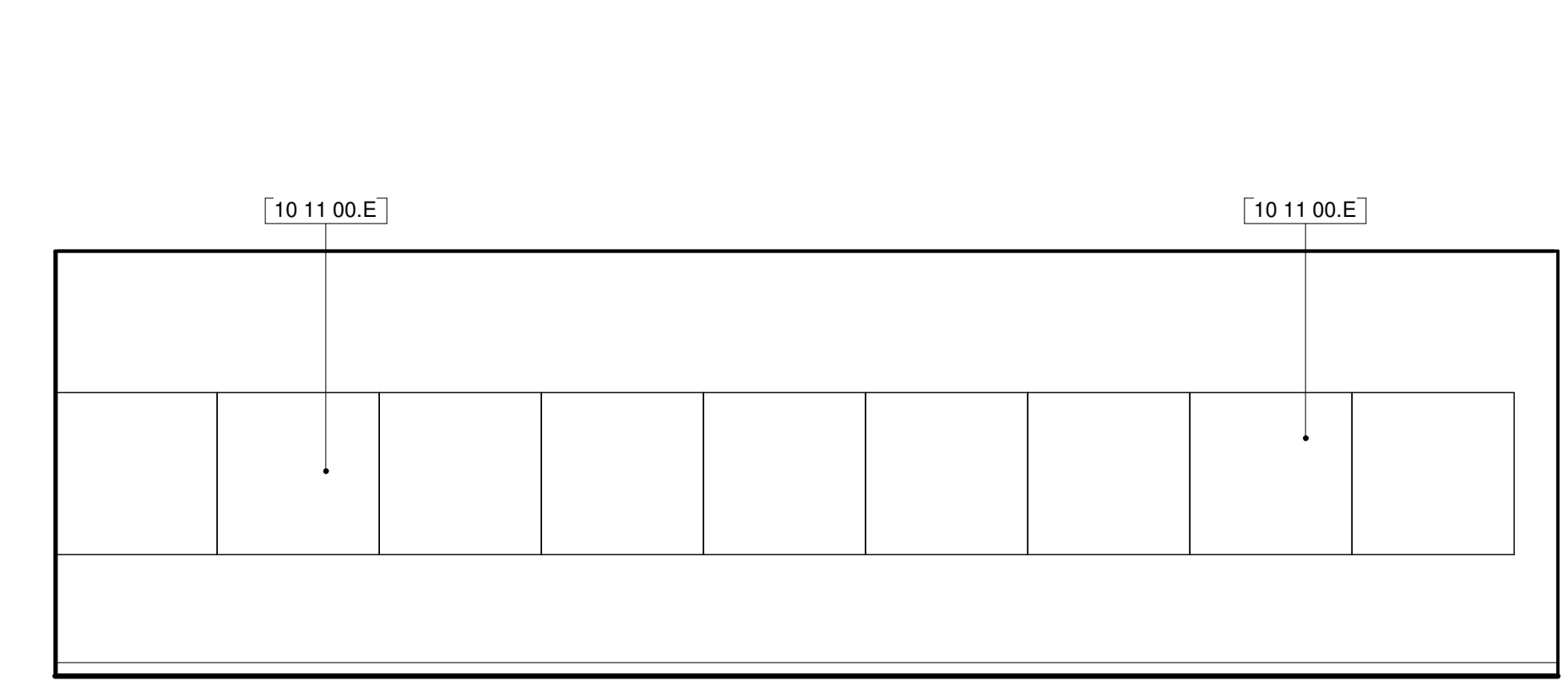


KEYNOTE LEGEND	
Keynote	Name/Description
06 40 23 M	PLASTIC LAMINATE-FACED CABINETS
06 40 23 N	PLASTIC LAMINATE-FACED FILLER PANEL
09 22 16 Q	GYPSUM BOARD BULKHEAD - WALL TYPE 12
09 30 00 A	CERAMIC TILE
10 11 00 AA	MARKERBOARD 8" WIDE
10 11 00 E	ACOUSTIC WALL PANEL 4 X 4
10 22 38 A	OPERABLE PANEL PARTITION - POWERED
10 44 00 B	SEMI-RECESSED FIRE EXTINGUISHER CABINET
11 31 00 B	HOOD-SEE MECHANICAL DWGS
11 31 00 D	STAINLESS STEEL HOOD EXTENSION
11 31 00 E	MICROWAVE OVEN
11 31 00 G	ELECTRIC DROP-IN COOKTOP
11 31 00 J	REFRIGERATOR
11 31 00 N	DISHWASHER ADA HEIGHT
11 31 00 S	WALL OVEN
11 52 00 A	PROJECTION SCREEN RECESSED
11 52 00 C	N.I.C. MONITOR, MONITOR MOUNT IS IN SCOPE, SEE AV DWGS
11 52 00 E	N.I.C. PODIUM W/ AV RACK
12 30 00 A	WALL CABINET
12 30 00 B	BASE CABINET W/COUNTERTOP

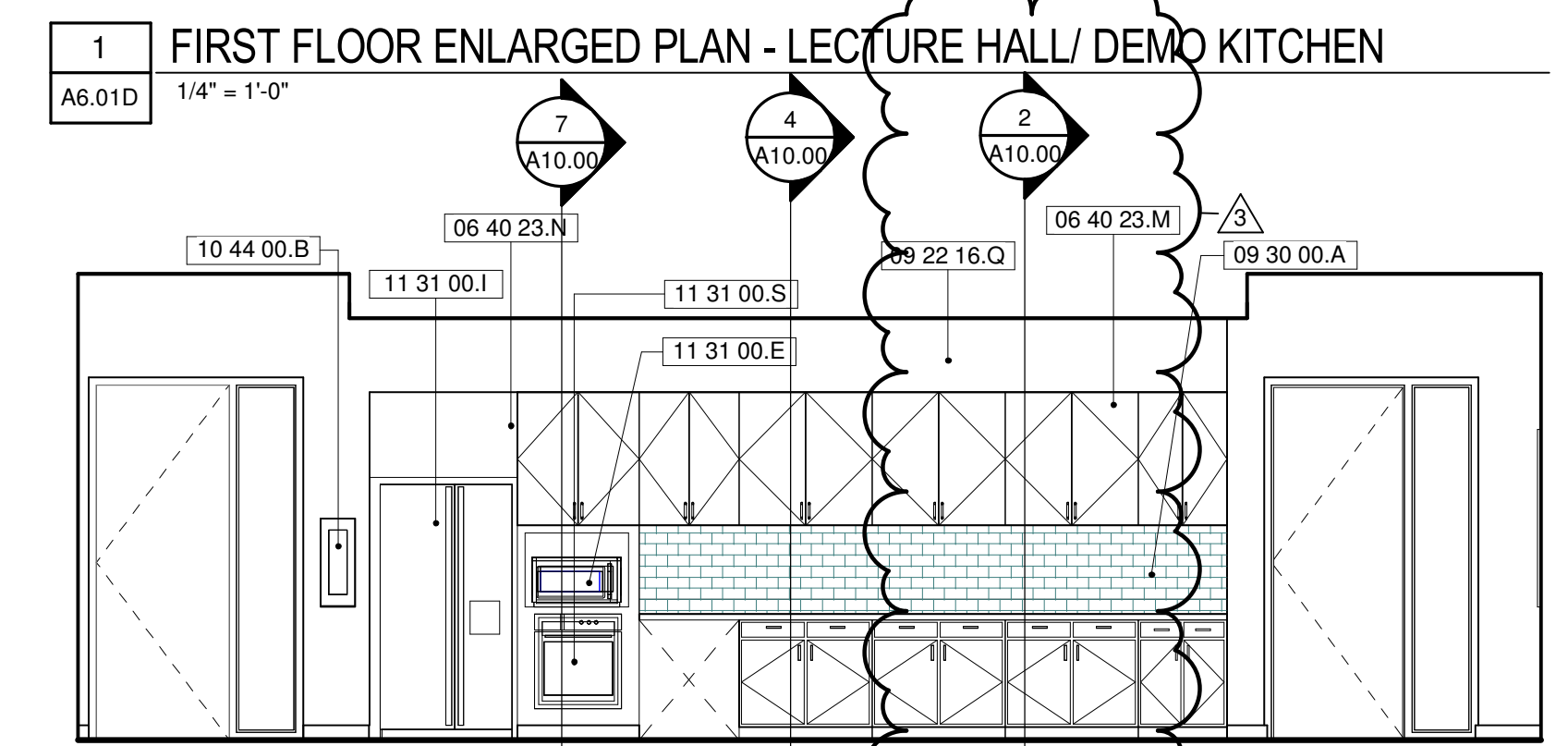
SEATING & DESKS SHOWN IN DEMONSTRATION KITCHEN ARE NOT FIXED OR TIERED. THEY ARE PIECES OF FURNITURE.



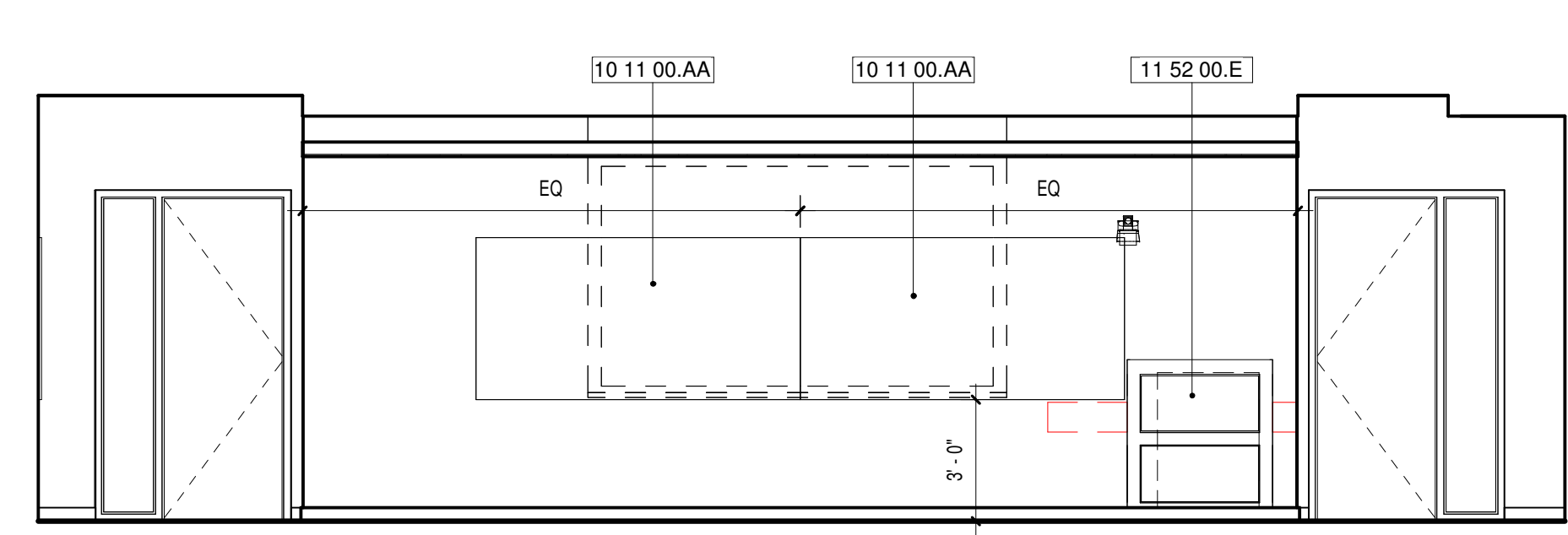
4 LECTURE HALL - EAST
A6.01D 1/4" = 1'-0"



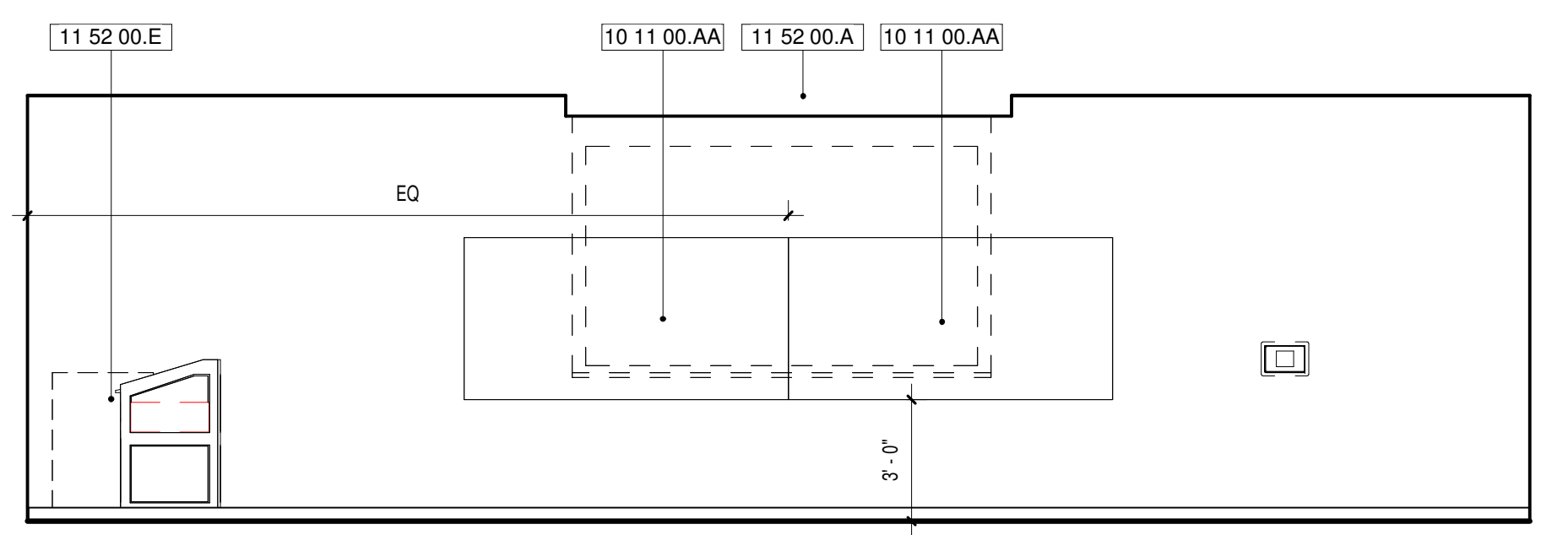
3 DEMONSTRATION KITCHEN @ WEST
A6.01D 1/4" = 1'-0"



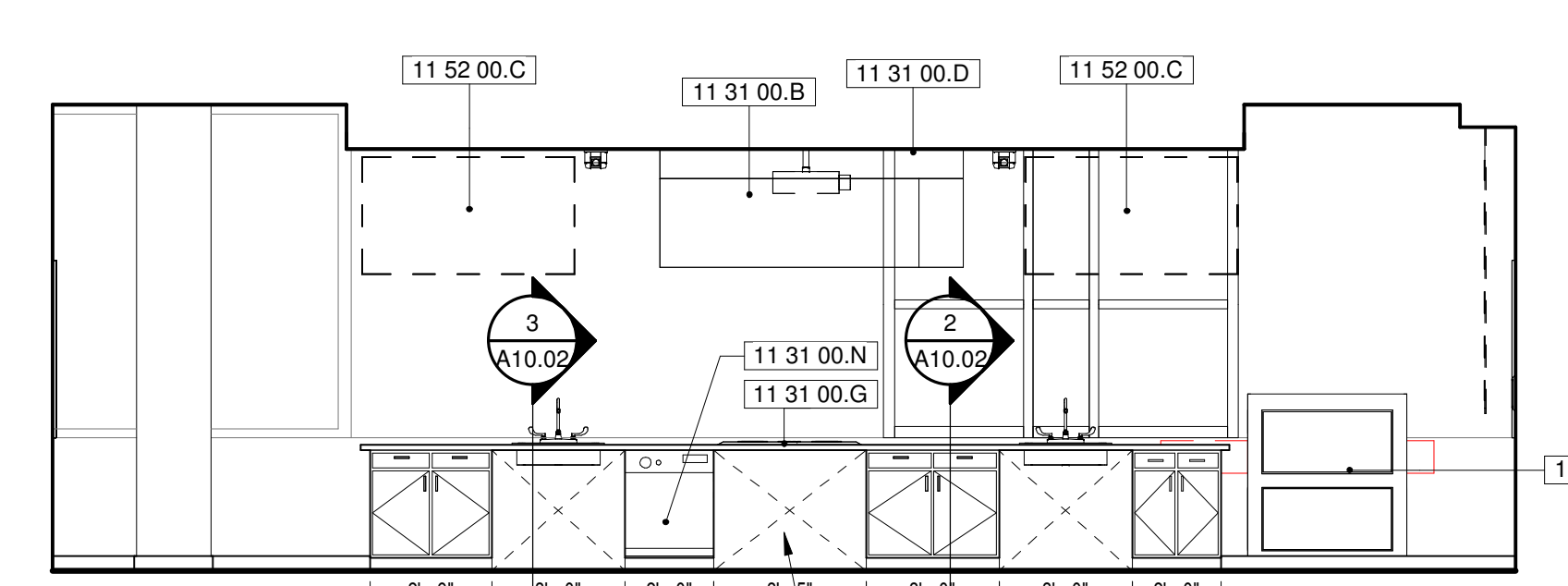
2 DEMONSTRATION KITCHEN - SOUTH
A6.01D 1/4" = 1'-0"



7 LECTURE HALL - NORTH
A6.01D 1/4" = 1'-0"



6 DEMONSTRATION KITCHEN @ EAST
A6.01D 1/4" = 1'-0"



5 DEMONSTRATION KITCHEN - NORTH
A6.01D 1/4" = 1'-0"

GENERAL NOTES - ENLARGED PLANS

- ALL DIMENSIONS SHOWN ON THESE PLANS BETWEEN EQUIPMENT AND FURNITURE ARE FOR REFERENCE ONLY. REFER TO DIMENSION PLANS FOR PARTITION DIMENSIONS.
- REFER TO A10.00, A10.01 & A10.02 FOR TYPICAL MILLWORK DETAILS.
- ALL CABINETS: BASE & UPPER TO BE LOCKABLE, U.N.O.
- REFER TO FINISH PLANS & SCHEDULE FOR FINISH INFORMATION.
- ALL WALLS IN BATHROOM TO BE TILE AND FULL HEIGHT, WITH NO TILE BASE.

drawing title FIRST FLOOR ENLARGED PLAN		STATE OF CONNECTICUT DEPARTMENT OF ADMINISTRATIVE SERVICES	
professional seal	REVISIONS		drawing prepared by SVIGALS + PARTNERS 84 ORANGE STREET NEW HAVEN, CT
	mark	date	description
	01	08/16/2019	DOCUMENTS FOR BID
	02	09/18/2019	ADDENDUM 2
03	09/26/2019	ADDENDUM 3	
project	SOSU NEW HHS BUILDING 501 CRESCENT STREET NEW HAVEN, CT 06550		date 08/05/2019 scale As indicated
approved by			drawing no. A6.01D
GAD no.	project no. BH-RS-329		