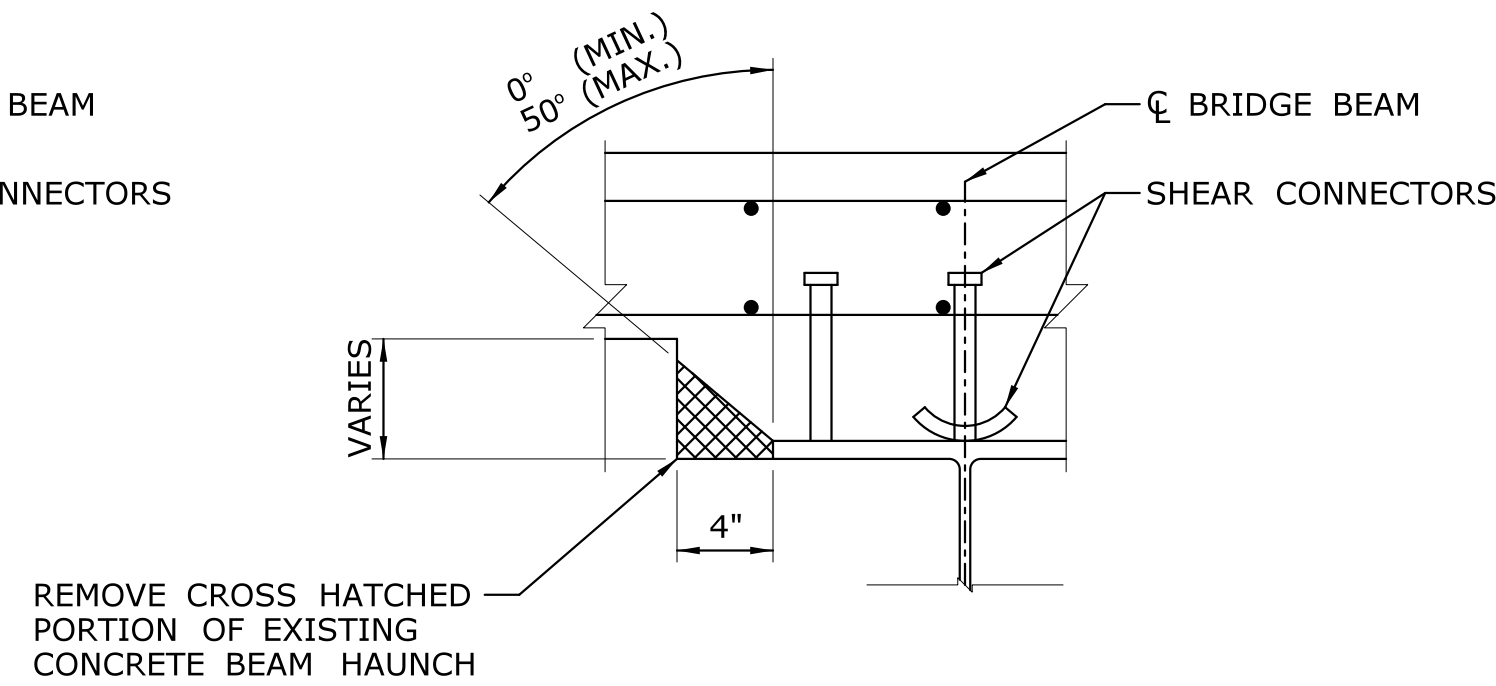
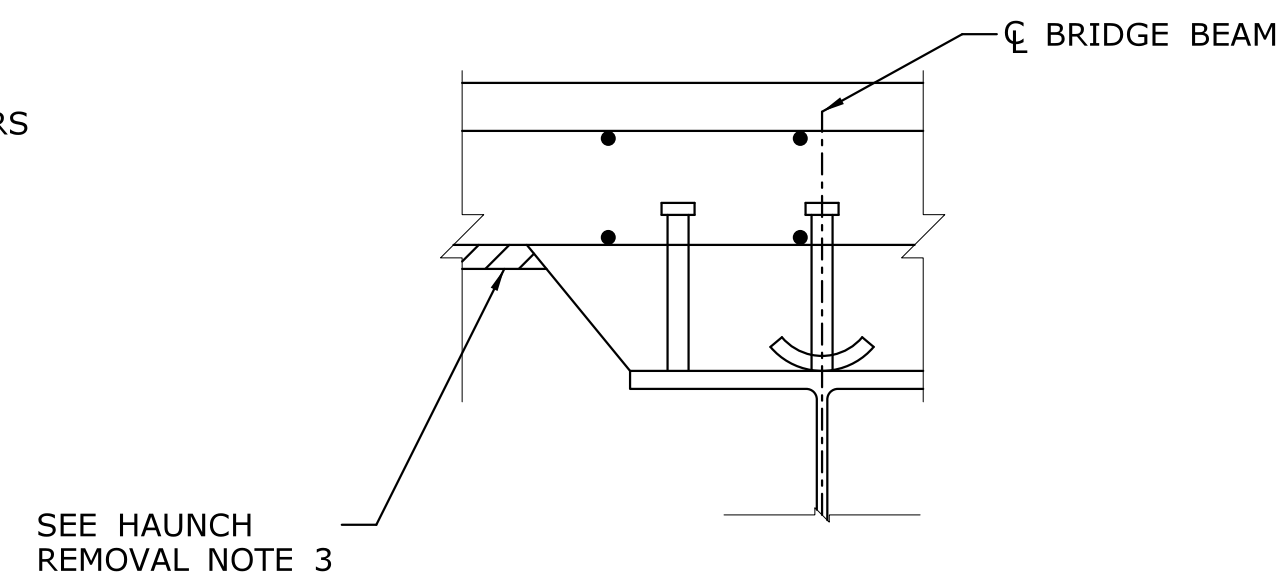


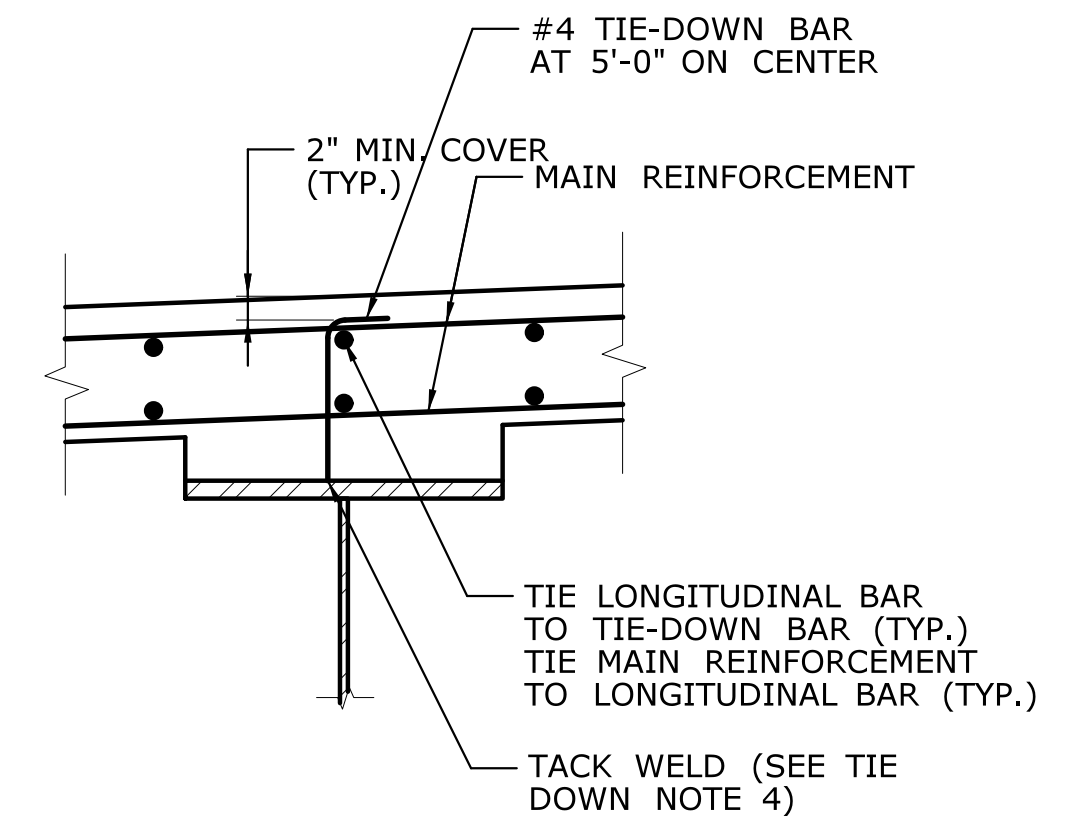
CONCRETE HAUNCH REMOVAL DETAIL
SCALE: 1 1/2" = 1'-0"



EXISTING CONDITION

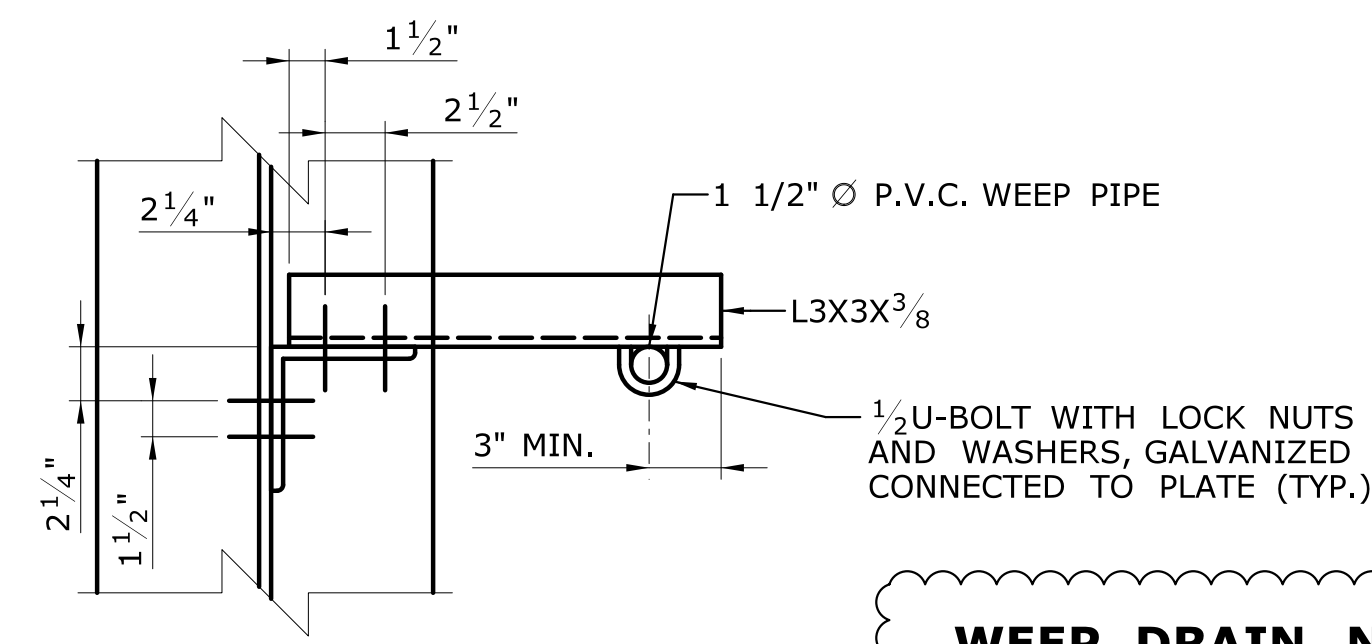


FINAL CONDITION



SLAB TIE-DOWN DETAIL
SCALE: 1" = 1'-0"

CONCRETE HAUNCH REMOVAL DETAILS AT INACCESSIBLE LOCATIONS*
SCALE: 1 1/2" = 1'-0"



SECTION A
SCALE: 1 1/2" = 1'-0"

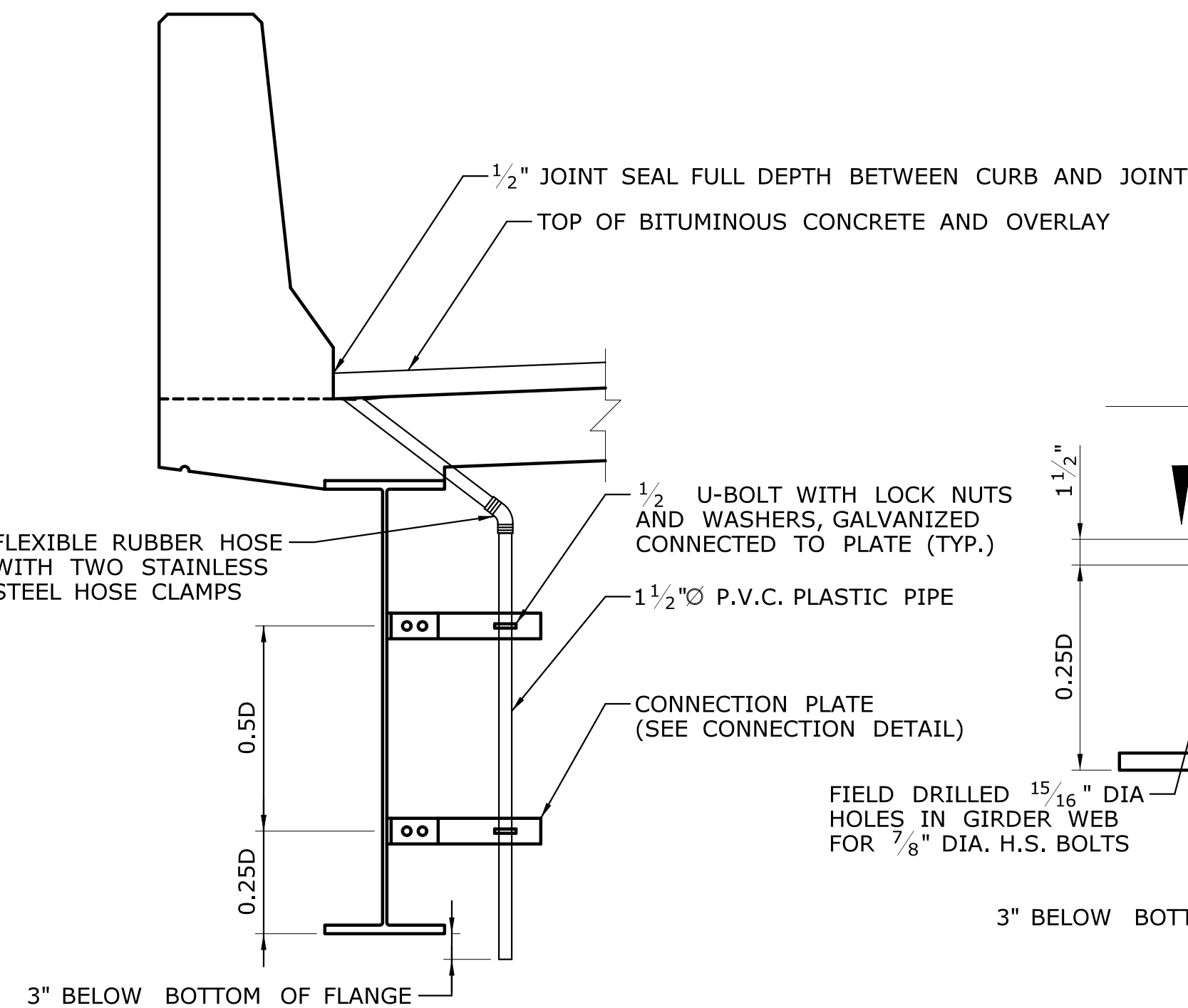
DESIGNED BY:
CDW SMITH
77 HARTLAND STREET
SUITE 201
EAST HARTFORD, CT 06108

WEEP DRAIN NOTE:
WEEP DRAIN PIPE, CONNECTION HARDWARE, GALV. MESH, AND STEEL ANGLES TO BE PAID UNDER THE ITEM "CONSTRUCT WEEP DRAINS."

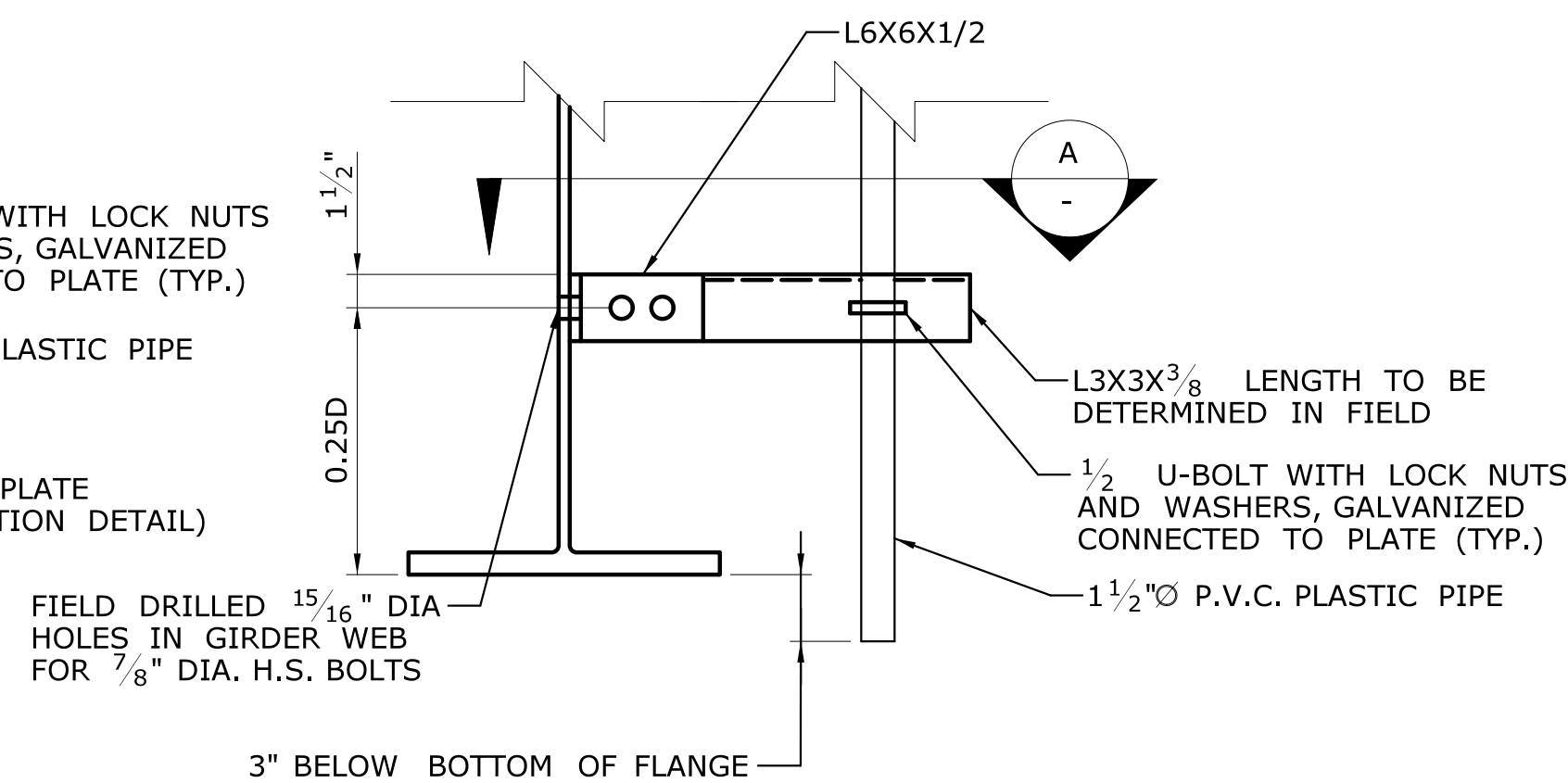
* SEE HAUNCH REMOVAL NOTE 2

HAUNCH REMOVAL NOTES:

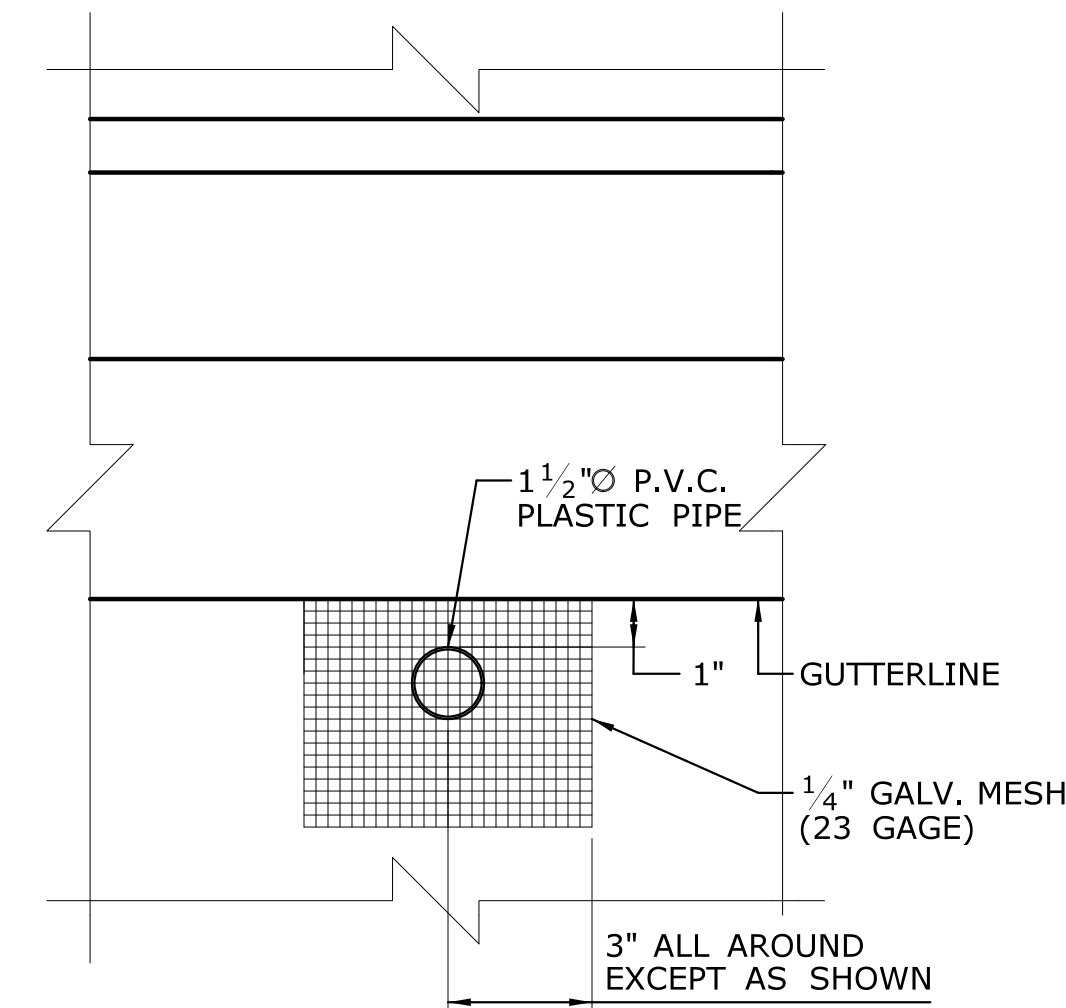
1. THE REMOVAL OF THE PORTION OF THE CONCRETE HAUNCH SHOWN SHALL BE PAID FOR AT THE CONTRACT UNIT PRICE PER LINEAR FOOT FOR "CONCRETE HAUNCH REMOVAL".
2. THIS METHOD TO BE USED ONLY IN THOSE AREAS HAVING INSUFFICIENT CLEARANCE FOR SAW-CUTTING EQUIPMENT SUCH AS ABOVE SOME DIAPHRAGMS AS ORDERED BY THE ENGINEER.
3. IF OVER-REMOVAL RESULTS, APPLY TWO COATS OF ZINC RICH COATING TO DECK REINFORCING STEEL EXPOSED DURING HAUNCH REMOVAL, ALL REASONABLE PRECAUTIONS SHALL BE TAKEN TO AVOID THIS CONDITION.



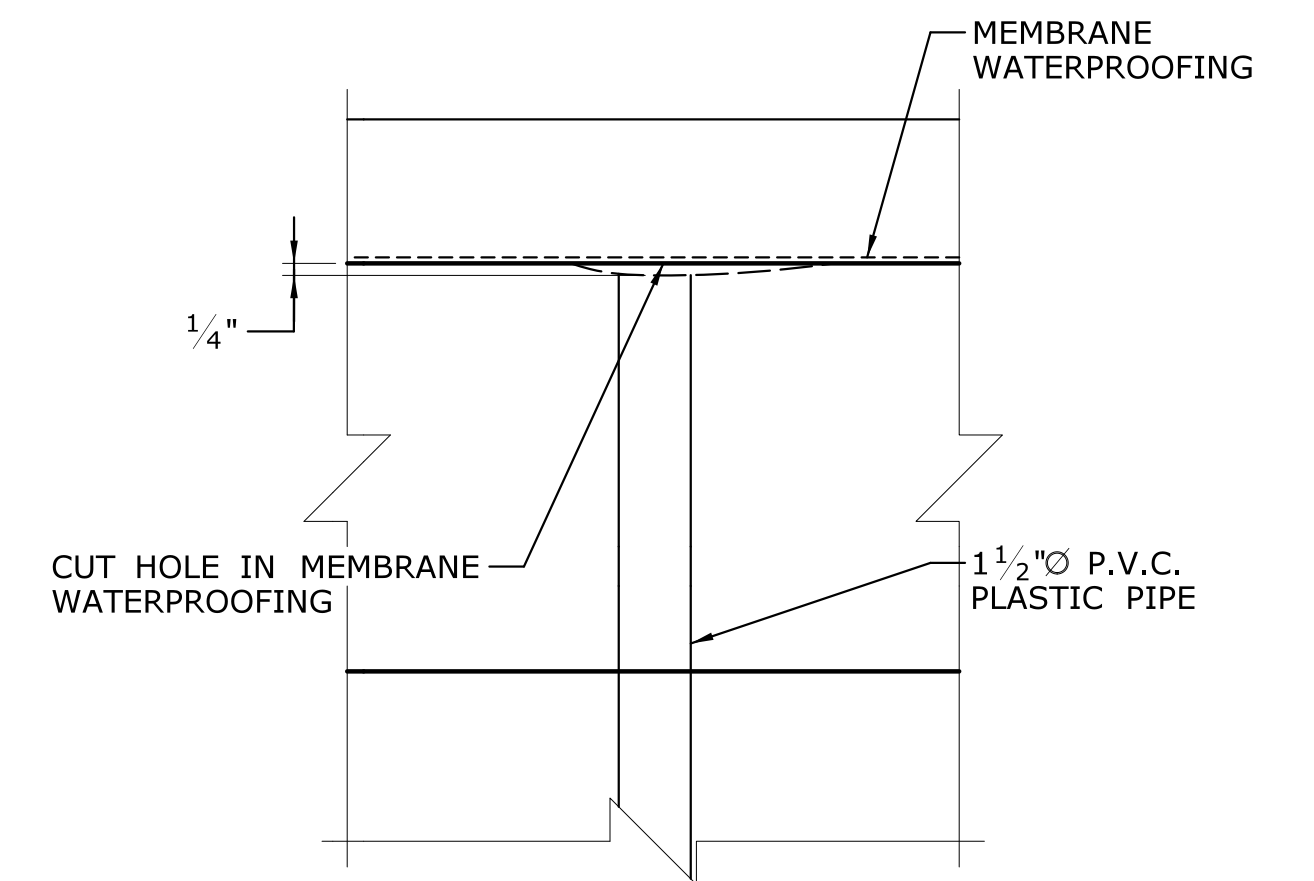
DECK WEEPHOLE DETAIL
SCALE: 3/4" = 1'-0"
(D=TOTAL BEAMS DEPTH)



DECK WEEPHOLE CONNECTION DETAIL
SCALE: 1 1/2" = 1'-0"



DECK WEEPHOLE OVERLAY INTERFACE PLAN
SCALE: 3" = 1'-0"



DECK WEEPHOLE OVERLAY INTERFACE DETAIL
SCALE: 3" = 1'-0"

ADDENDUM NO. 2

12.18.20	PAY ITEM NOTE	04.61.A2	THE INFORMATION, INCLUDING ESTIMATED QUANTITIES OF WORK, SHOWN ON THESE SHEETS IS BASED ON LIMITED INVESTIGATIONS BY THE STATE AND IS IN NO WAY WARRANTED TO INDICATE THE CONDITIONS OF ACTUAL QUANTITIES OF WORK WHICH WILL BE REQUIRED.	DESIGNER/DRAFTER: JCF	<p>STATE OF CONNECTICUT DEPARTMENT OF TRANSPORTATION</p>		PROJECT TITLE: RESURFACING, BRIDGE AND SAFETY IMPROVEMENTS ON ROUTE 2	TOWN: TOWNS OF HARTFORD, EAST HARTFORD, WETHERSFIELD AND GLASTONBURY	PROJECT NO. 42-317
			CHECKED BY: MPE	SIGNATURE/BLOCK:				DRAWING NO. S-60	
			SCALE AS NOTED					SHEET NO. 04.61.A2	
REV.	DATE	REVISION DESCRIPTION	SHEET NO.	Plotted Date: 12/18/2020	Filename: ...SB_MSH_0042_0317_S-60.A2.dgn			MISCELLANEOUS DETAILS	