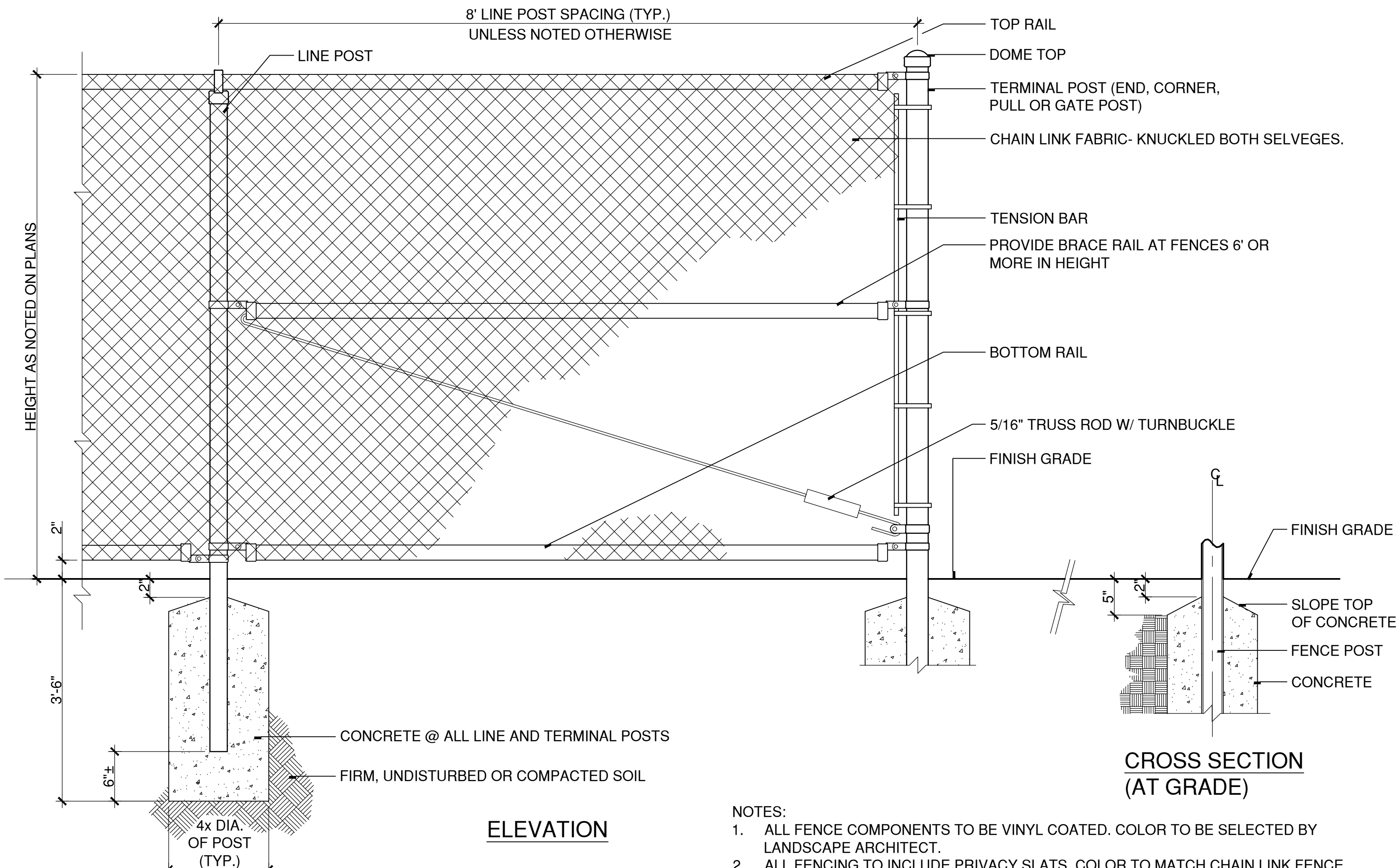
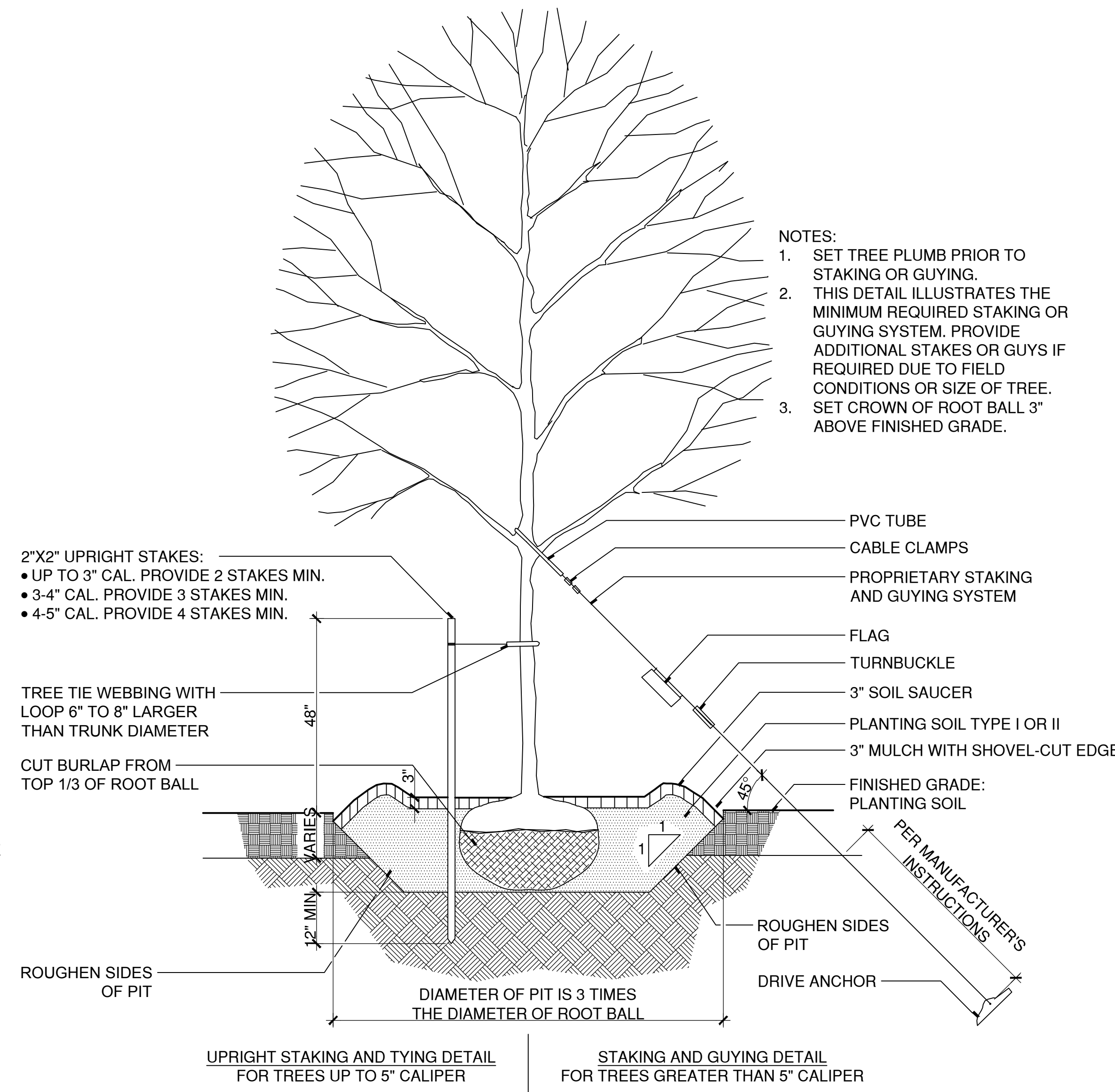


	DIMENSIONS				NOM. WEIGHT (LBS/FT)	
	FENCE HEIGHT	GATE LEAFS	NPS DESIGNAT OR	O.D.	TYPE I	TYPE II
RAILS	UP TO 12' 12' & OVER (TOP RAIL ONLY)		1 1/4	1.66"	2.27	1.83
LINE POSTS	UP TO 6'		1 1/2	1.900"	2.72	2.28
	OVER 6' UP TO 8' OVER 12'		2 3 1/2	2.375" 4.000"	3.65 4.000"	3.12
TERMINAL POSTS	UP TO 6'		2	2.375"	3.65	3.12
	OVER 6' UP TO 12' OVER 12'		2 1/2 3 1/2	2.875" 4.000"	5.79 4.64	



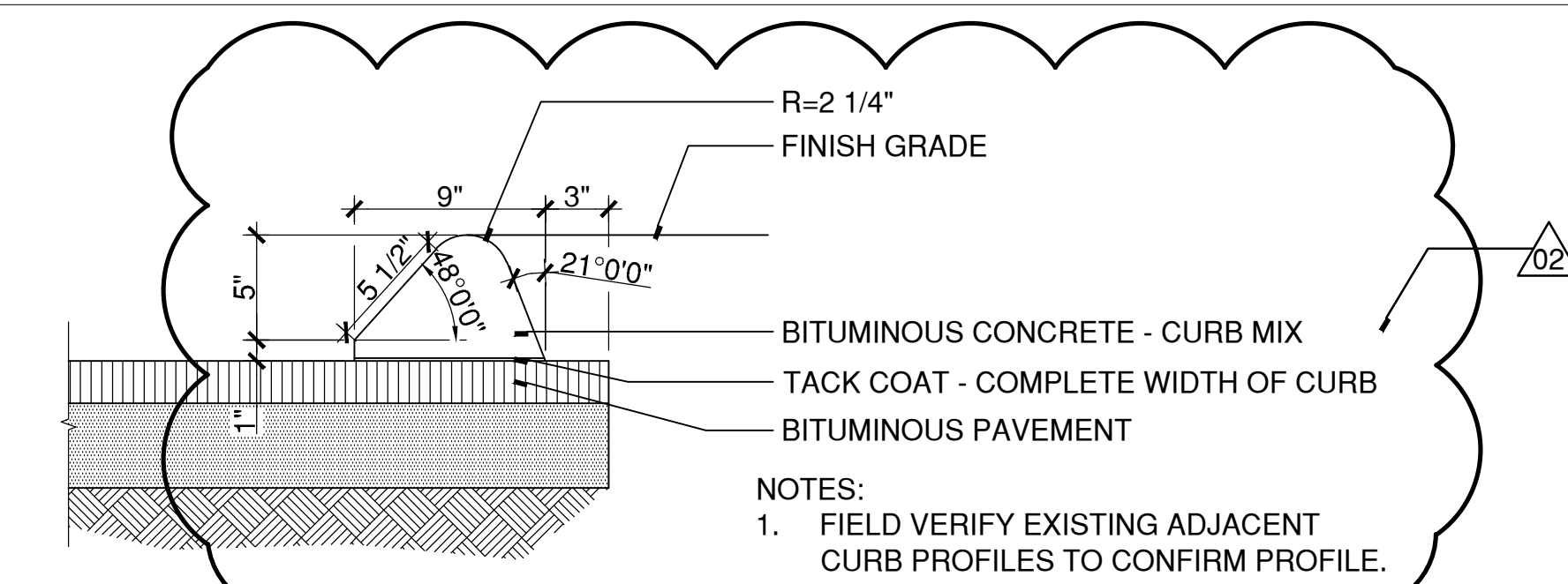
8 CHAIN LINK FENCE
N.T.S.

323113-A.DWG



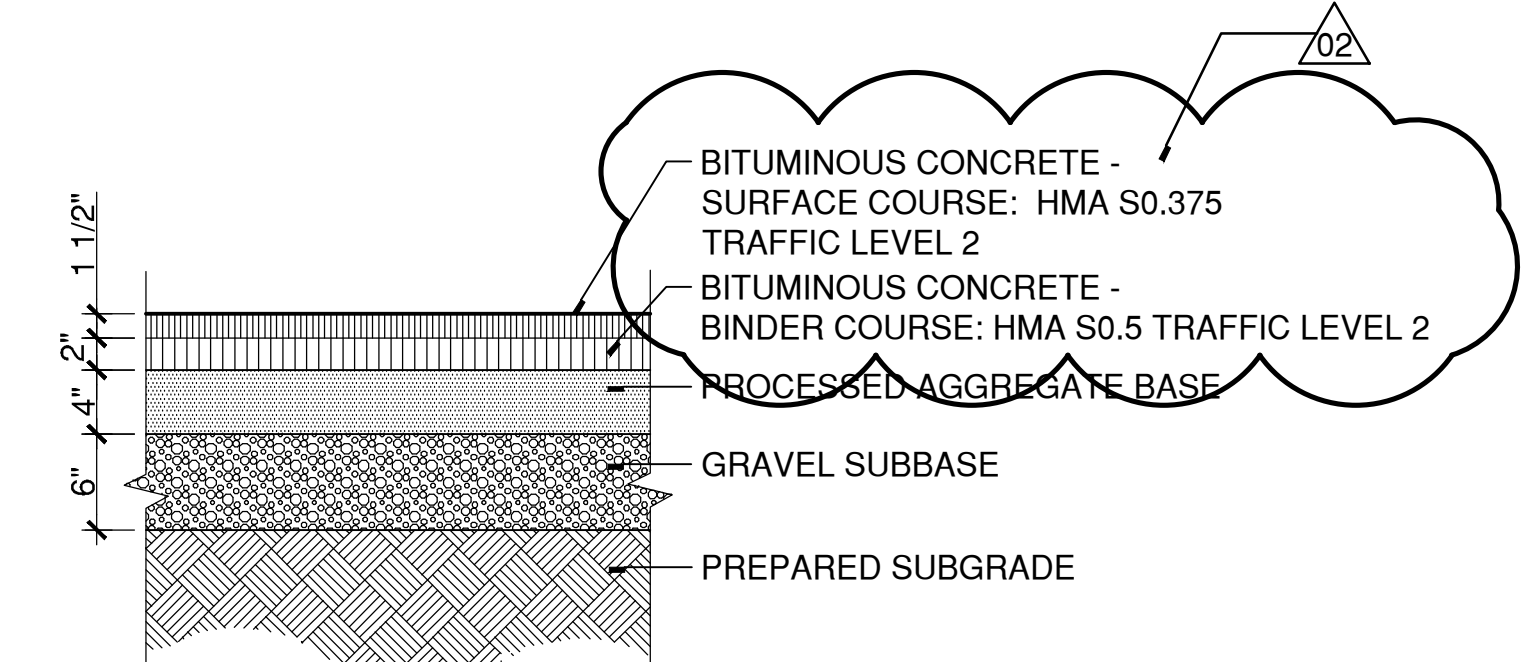
6 TREE PLANTING WITH TRUNK STABILIZATION
SCALE: NTS

X:\CADSTANDARD\DETAILS\329300-A.DWG



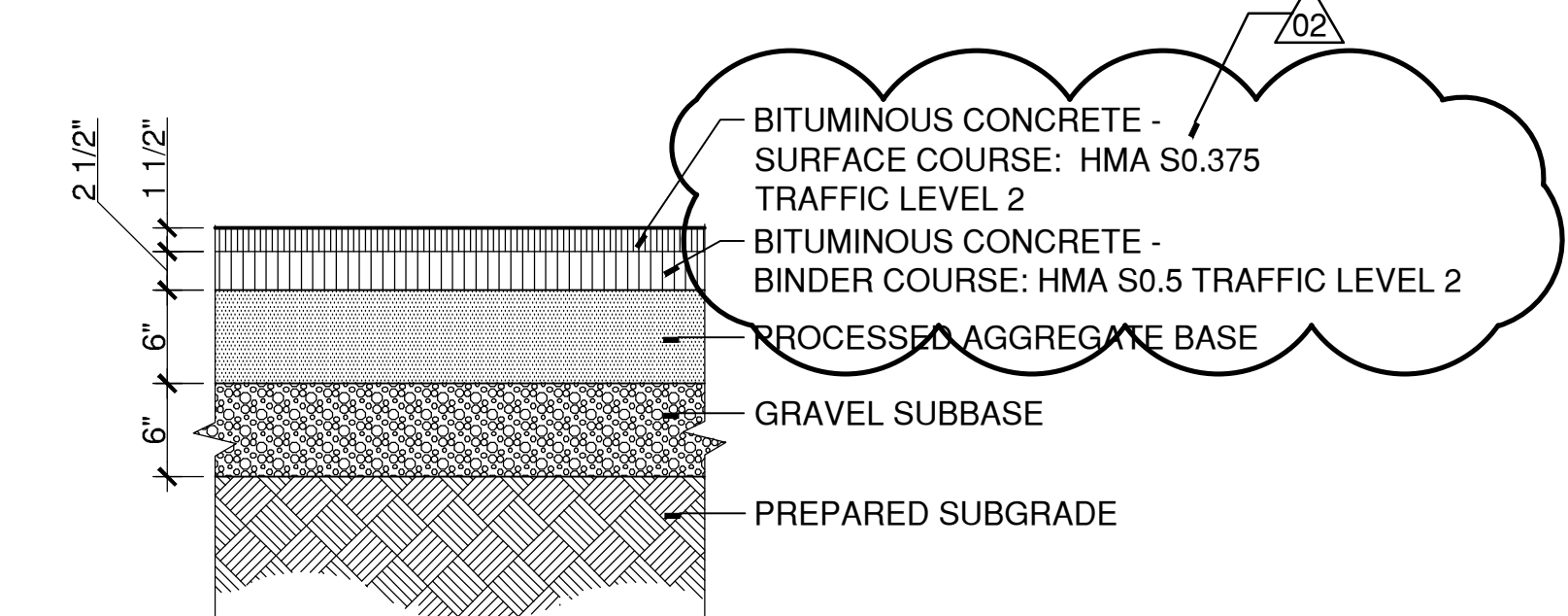
4 BITUMINOUS CONCRETE CURB
SCALE: 1 1/2"=1'

X:\CADSTANDARD\DETAILS\321619-A.DWG



3 BITUMINOUS CONCRETE PAVEMENT
SCALE: 1"=1'

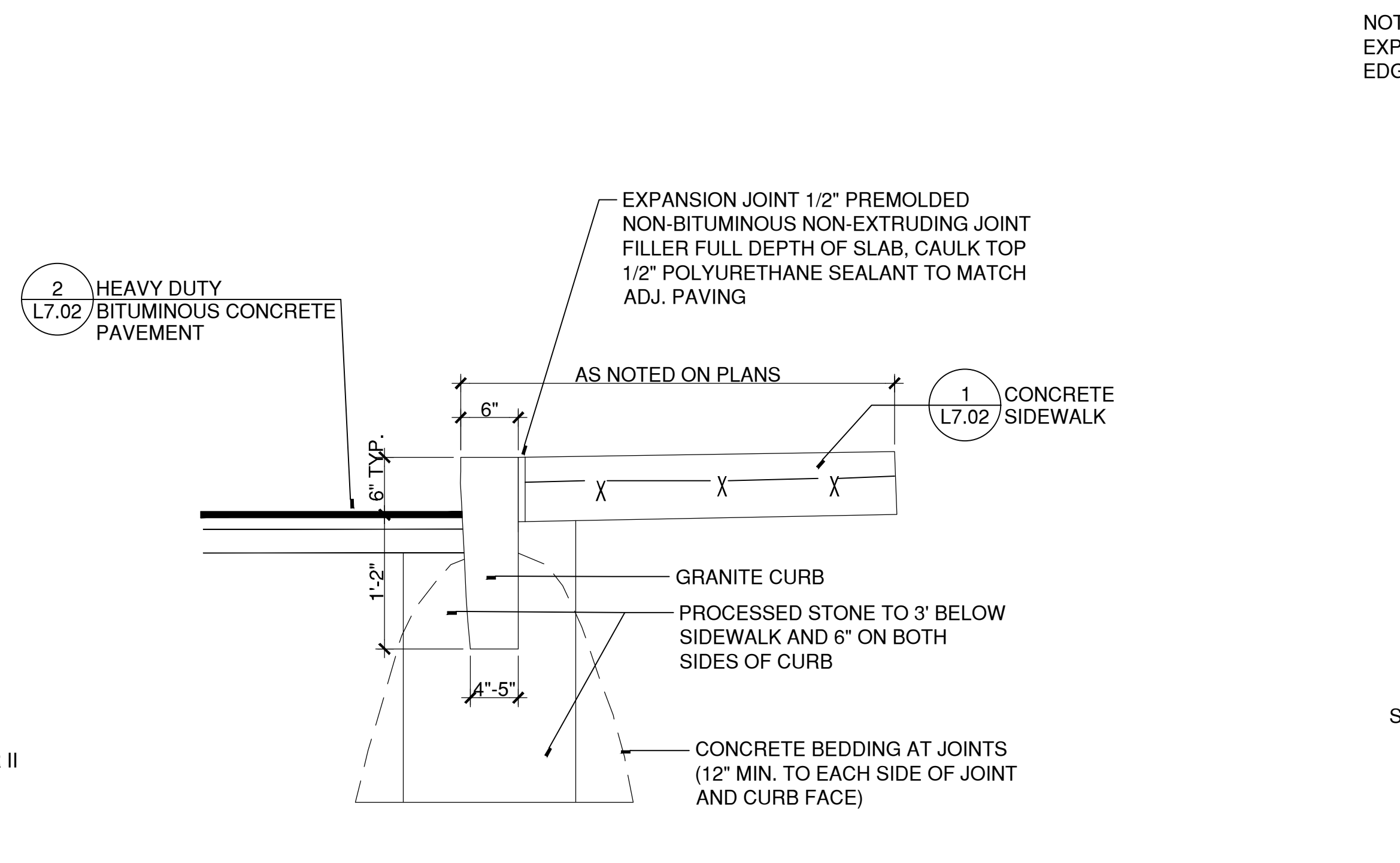
321216-A2.DWG



2 HEAVY DUTY BITUMINOUS CONCRETE PAVEMENT
SCALE: 1"=1'

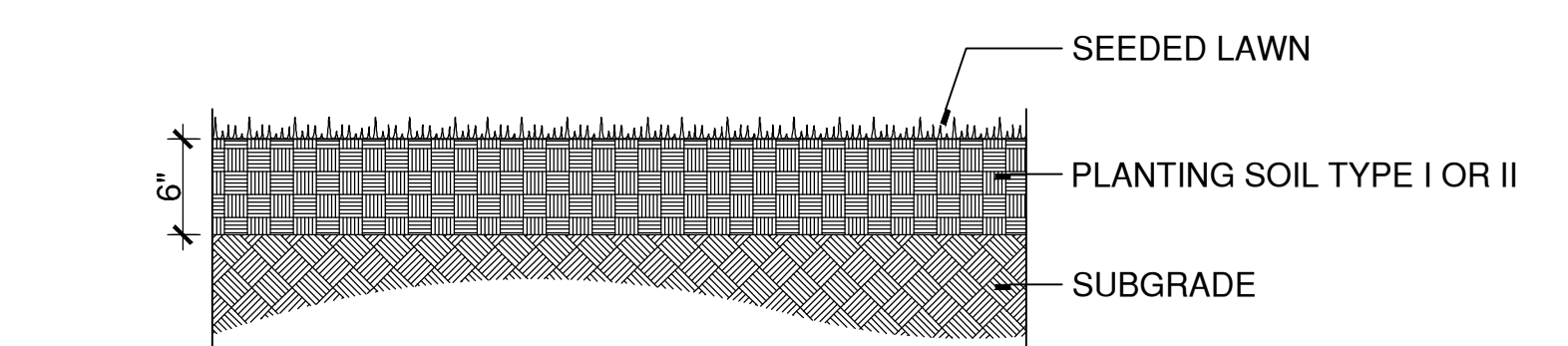
321216-A.DWG

- NOTES:
- ALL FENCE COMPONENTS TO BE VINYL COATED. COLOR TO BE SELECTED BY LANDSCAPE ARCHITECT.
 - ALL FENCING TO INCLUDE PRIVACY SLATS. COLOR TO MATCH CHAIN LINK FENCE.
 - REFER TO DETAIL 2/L5.01 FOR CHAIN LINK FENCE SET IN CONCRETE CURB AT DUMPSTER ENCLOSURE.



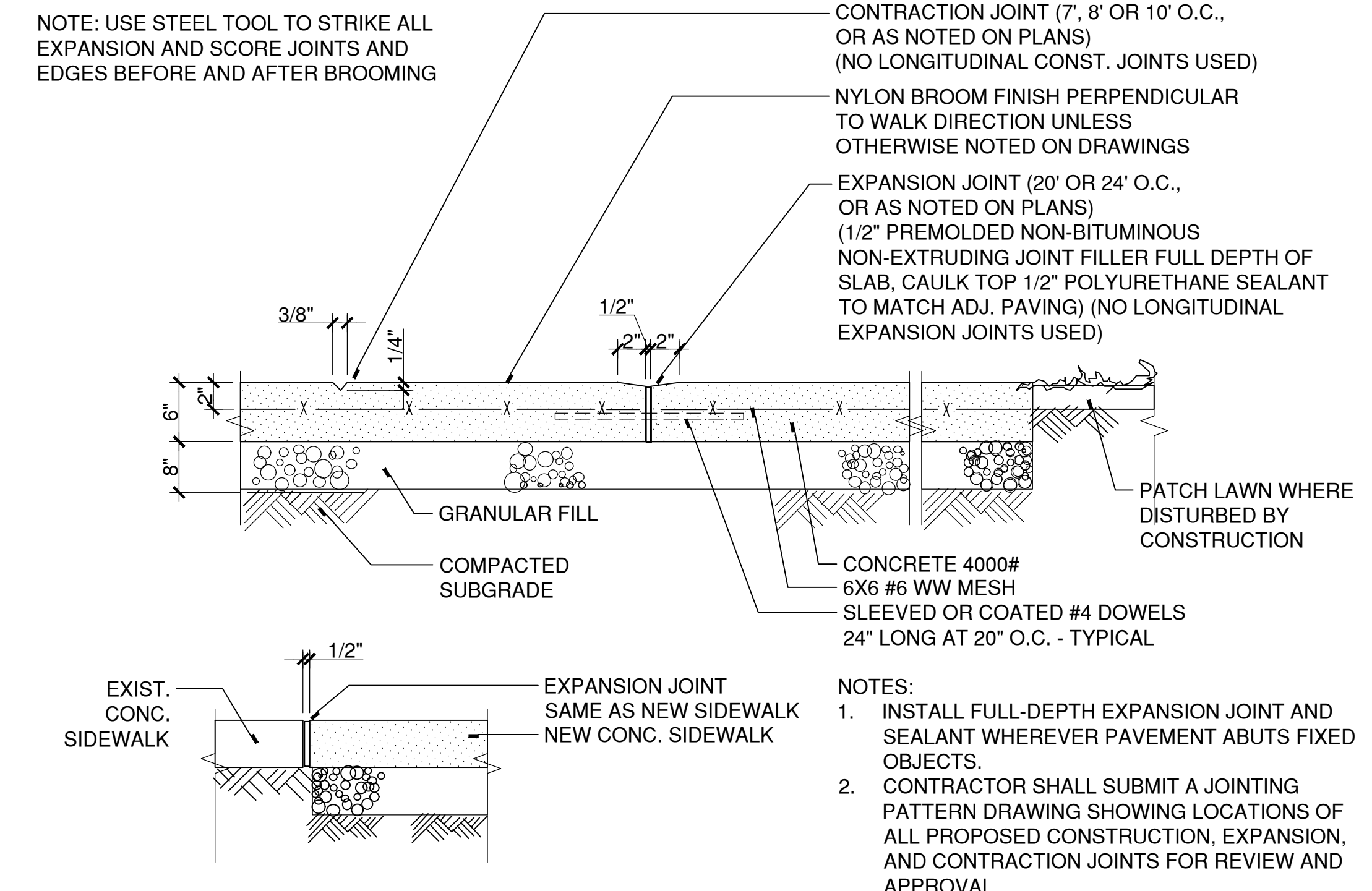
5 GRANITE CURB
SCALE: NTS

NOTE:
1. PROVIDE RADIUS CURB WHERE INDICATED.
321640-SCSU - SUPP BID 1.DWG



7 SEEDED LAWN
SCALE: NTS

X:\CADSTANDARD\DETAILS\329200-C.DWG



1 CONCRETE SIDEWALK
SCALE: NTS

321313-SCSU.DWG

- CONCRETE GENERAL NOTES**
- REINFORCING, REINFORCING ACCESSORIES AND DOWELS FOR ALL EXTERIOR CONCRETE INCLUDING BUT NOT LIMITED TO SIDEWALKS, PAVEMENT, PADS AND SITE WALLS SHALL BE EPOXY COATED.
 - PROVIDE CLEARANCE FROM EDGE OF REINFORCING TO EDGE OF CONCRETE AS NOTED ON STRUCTURAL DRAWINGS (S0.00, CONCRETE, ITEM 21) UNLESS NOTED OTHERWISE.
 - BASE AND BACKFILL REQUIREMENTS SHALL COMPLY WITH RECOMMENDATIONS IN PROJECT GEOTECHNICAL REPORT.
 - BACKFILL EVENLY BOTH SIDES OF WALLS.
 - SIDEWALKS, PAVEMENTS AND RAMPS: APPLY BROOM FINISH PERPENDICULAR TO MAIN TRAFFIC ROUTE, OR AS INDICATED ON JOINT LAYOUT PLANS. TOOL EDGES OF PAVING AND ALL JOINTS WITH EDGING TOOL TO A 1/4" RADIUS AFTER INITIAL FLOATING AND REPEAT AFTER APPLYING BROOM FINISH. ELIMINATE EDGING TOOL MARKS ON CONCRETE SURFACES.
 - STEPS: APPLY BROOM FINISH PERPENDICULAR TO MAIN TRAFFIC ROUTE WITH 1 1/2" WIDE SMOOTH TROWELED EDGE AT NOSING. PROVIDE SMOOTH RUBBED FINISH ON VERTICAL FACES.
 - WALLS, SEAT STEPS, AND CURBS: PROVIDE SMOOTH RUBBED FINISH ON ALL EXPOSED VERTICAL SIDES AND TOPS. CONTINUE RUBBED FINISH A MINIMUM OF 6" BELOW FINISH GRADE.
 - CONTRACTOR SHALL SUBMIT SHOP DRAWINGS FOR REVIEW AND APPROVAL INDICATING JOINT LOCATIONS, FINISHES AND REVEAL PATTERNS.
 - WHERE SUBSURFACE PIPING PASSES THROUGH WALLS, SEAT STEPS OR OTHER STRUCTURES, REFER TO TYPICAL DETAIL OF PIPE PENETRATIONS THRU FOUNDATION WALLS (S6.00). COORDINATE ALL INVERTS WITH CIVIL AND UTILITY DRAWINGS.
 - REFER TO CAST-IN-PLACE CONCRETE AND CONCRETE PAVING SPECIFICATIONS FOR ADDITIONAL REQUIREMENTS AND INFORMATION.

drawing title		REVISIONS		drawing prepared by		date
SITE DETAILS SUPPLEMENTAL BID NO. 1		mark	date	RICHTER & CEGAN INC.		08/16/2019
professional seal		01	08/16/2019	8-B Canal Court, Box 567, Avon, CT 06001		scale
		02	08/18/2019	project		As Noted
				SCSU NEW HHS BUILDING		
				501 CRESCENT STREET		
				NEW HAVEN, CT 06050		
				CAD no.		project no.
				BI-RS-329		L7.02