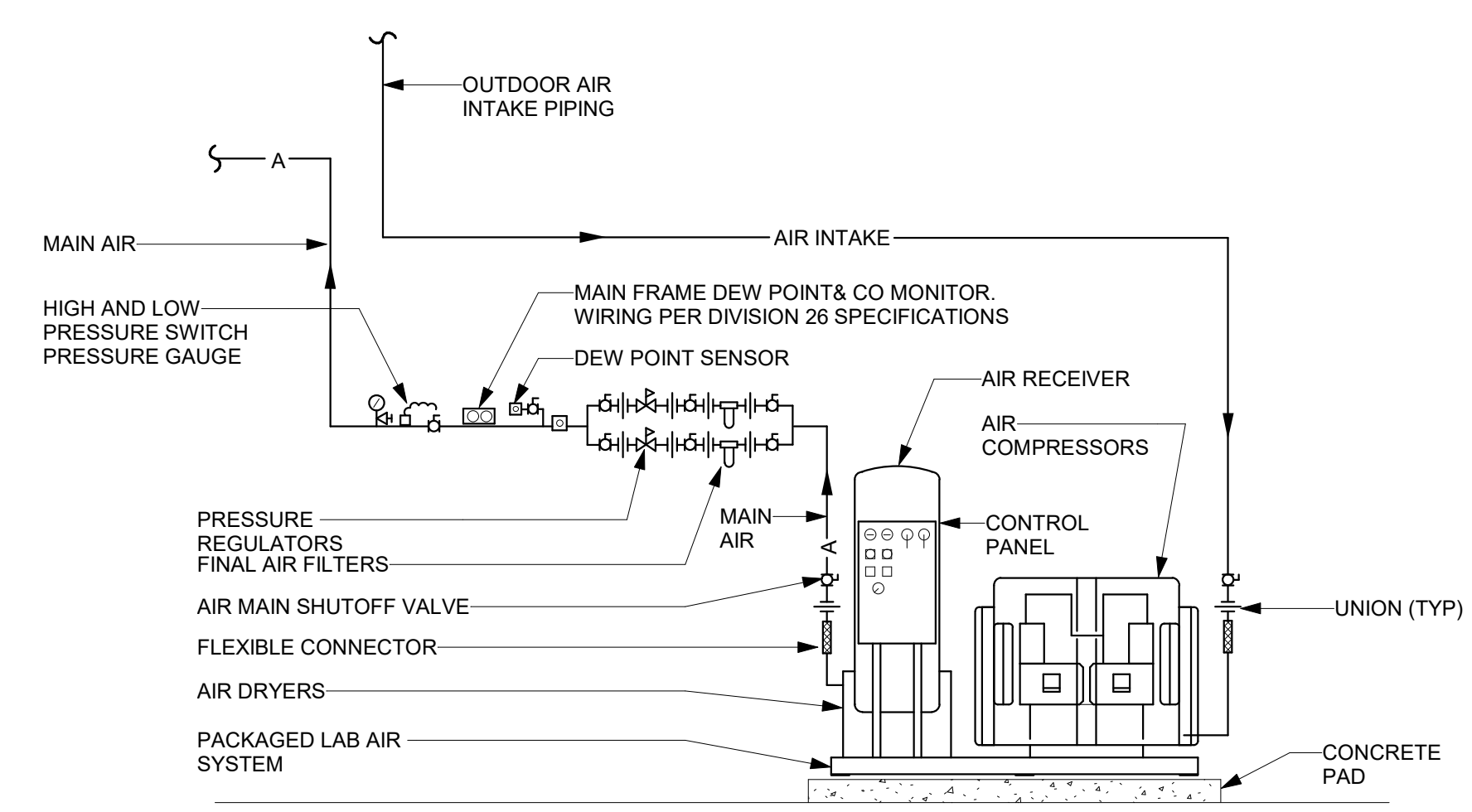
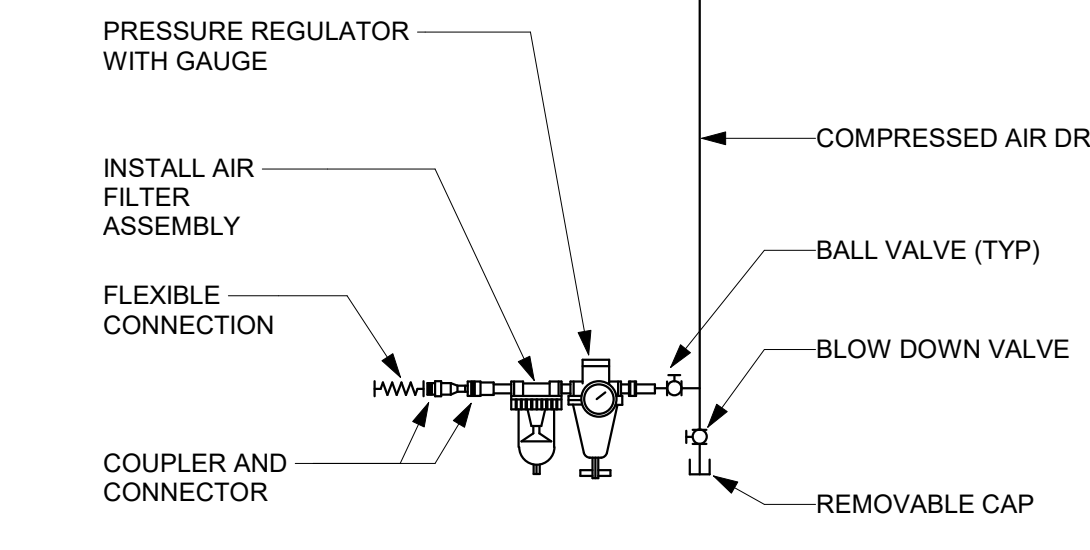


**NOTE:**  
THIS DETAIL IS FOR ALL EQUIPMENT MOTORS. CONTRACTOR TO PROVIDE WIRING BETWEEN REMOTE COMBINATION MOTOR CONTROLLER/DISC SWITCH AND MOTORS. SEE EQUIPMENT SCHEDULES AND SPECIFICATIONS. IF NOT NOTED OTHERWISE IN EQUIPMENT SCHEDULES, CONTRACTOR SHALL PROVIDE A COMBINATION MOTOR CONTROLLER/DISC SWITCH.

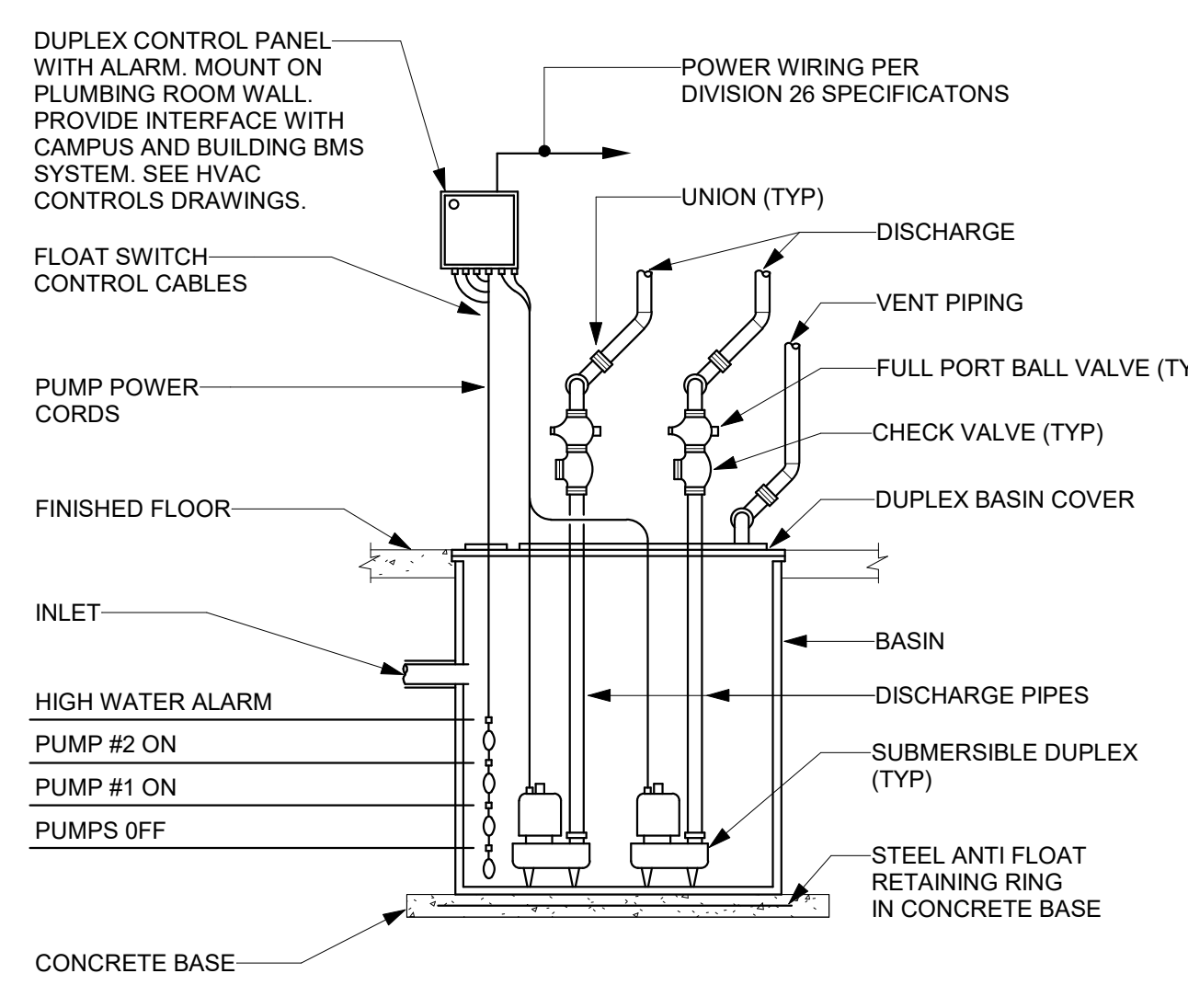
**TYPICAL COMBINATION MOTOR CONTROLLER/DISC SWITCH DETAIL**  
NOT TO SCALE



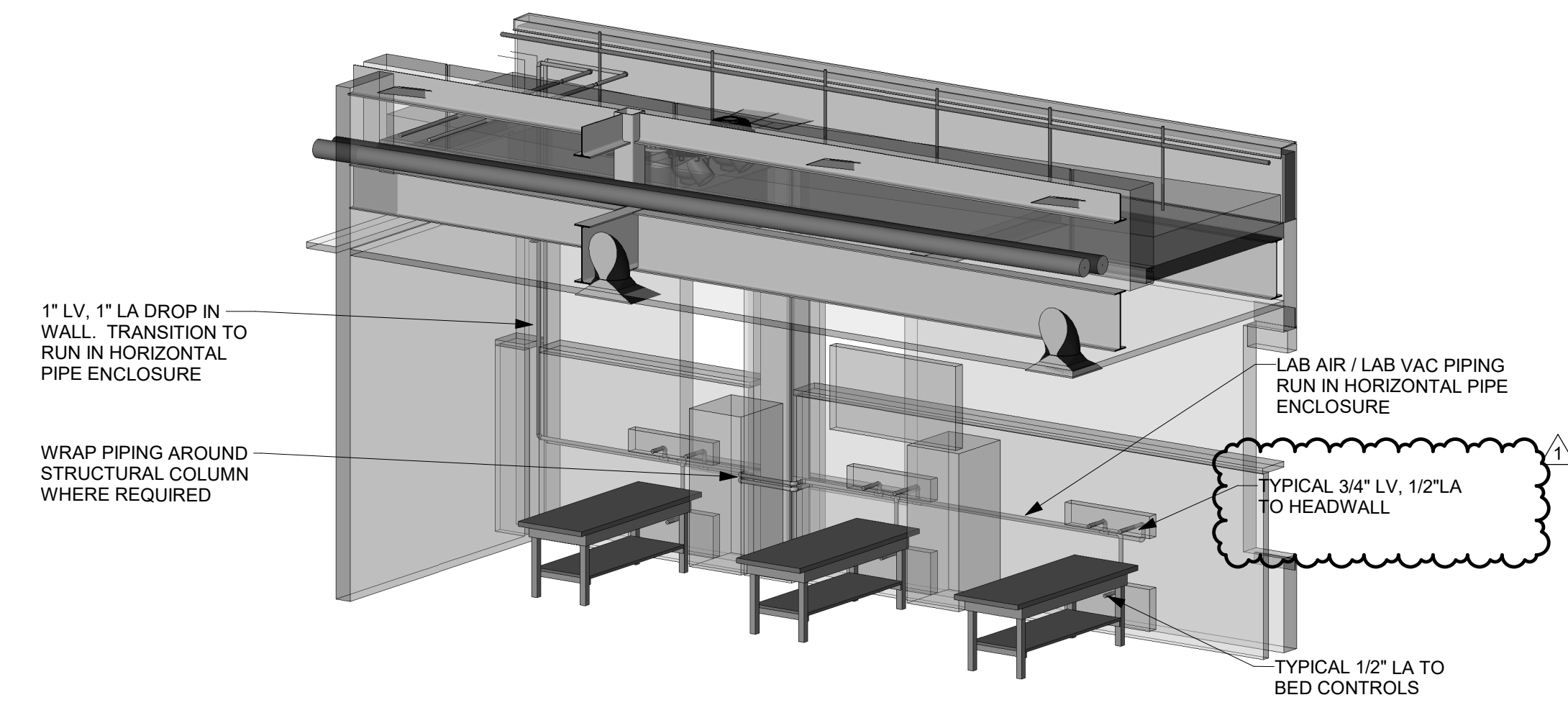
**TYPICAL FLOOR DRAIN AND CLEANOUT DETAIL**  
NOT TO SCALE



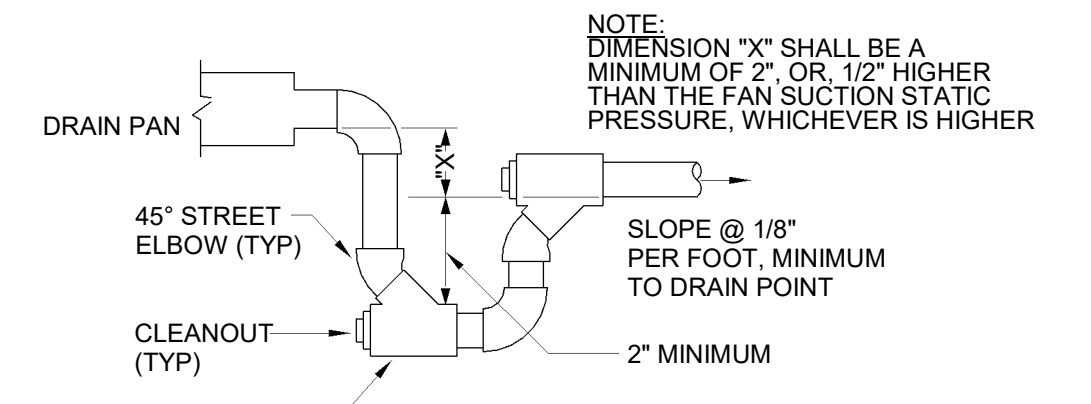
**TYPICAL CLEANOUT DETAIL AT BASE OF SOIL STACK OR RWL**  
NOT TO SCALE



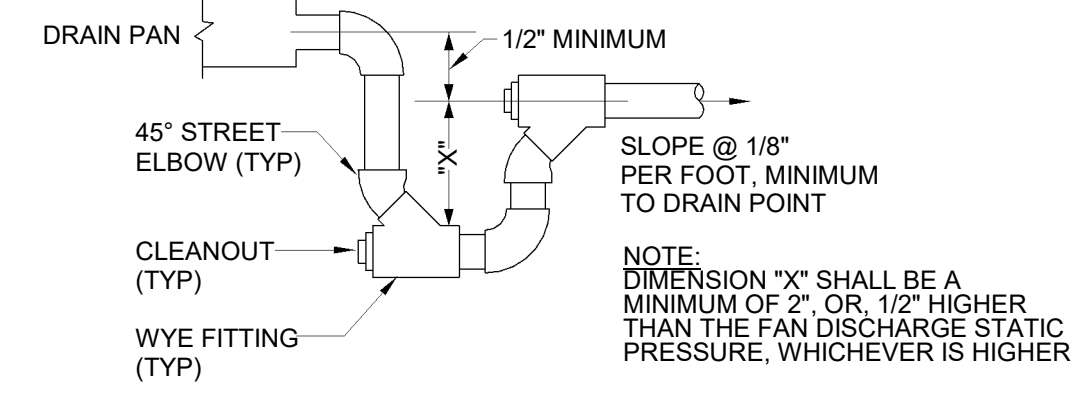
**DUPLEX SEWAGE SUMP PUMP DETAIL**  
NOT TO SCALE



**LARGE LAB / SIMULATOR ROOM AIR & VAC PIPING DETAIL**  
SCALE: N.T.S.

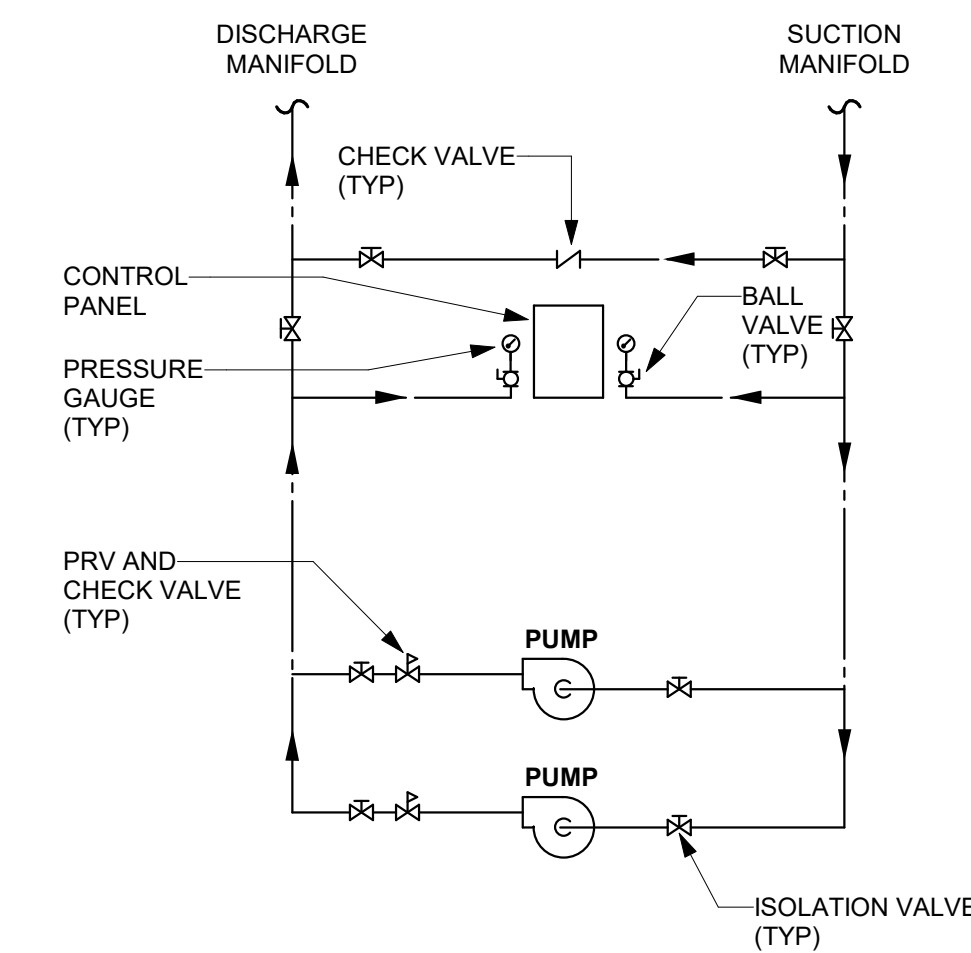


**FOR DRAW-THRU COILS**



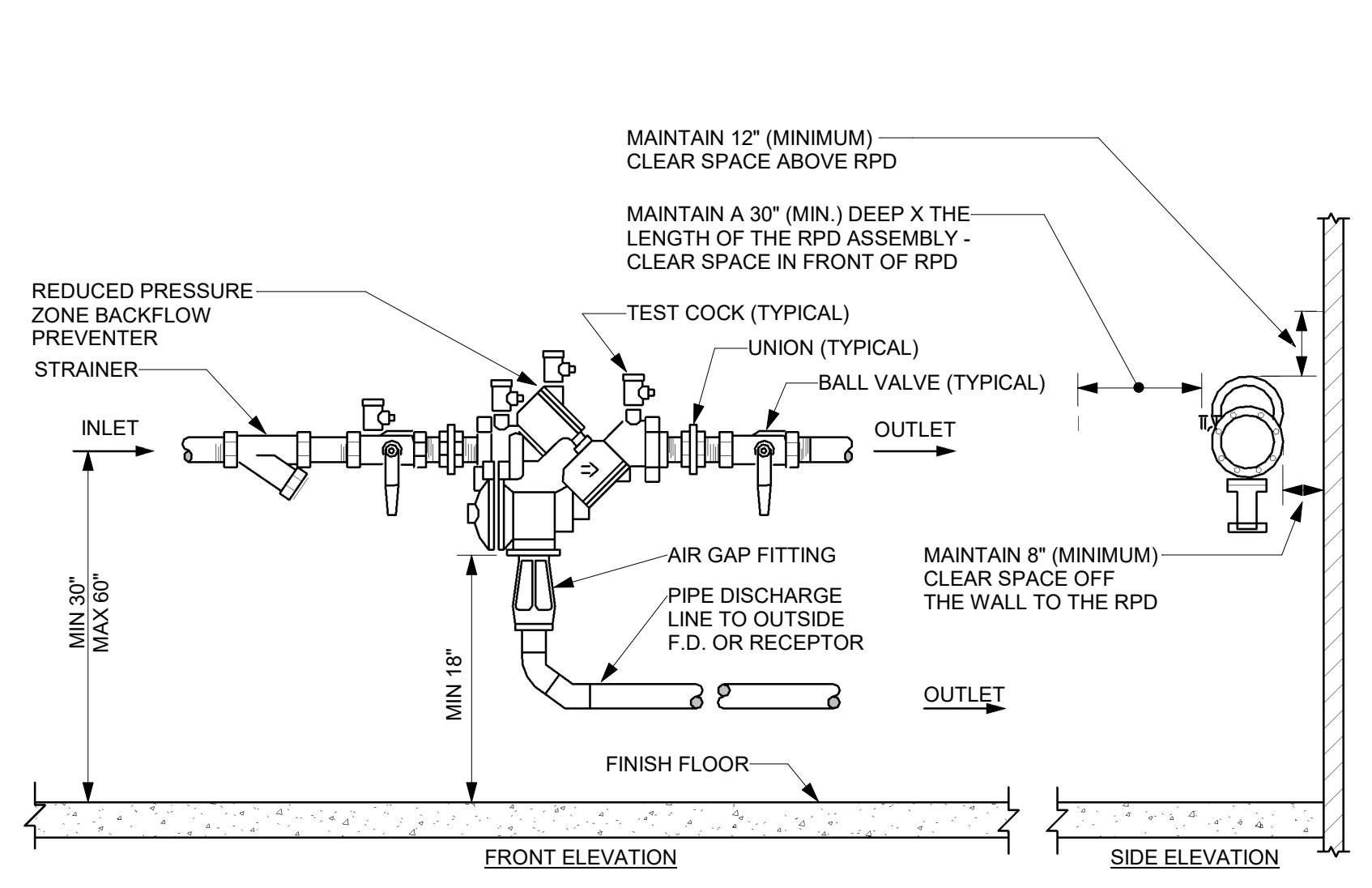
**FOR BLOW-THRU COILS**

**COOLING COIL CONDENSATE TRAP DETAIL**  
NOT TO SCALE

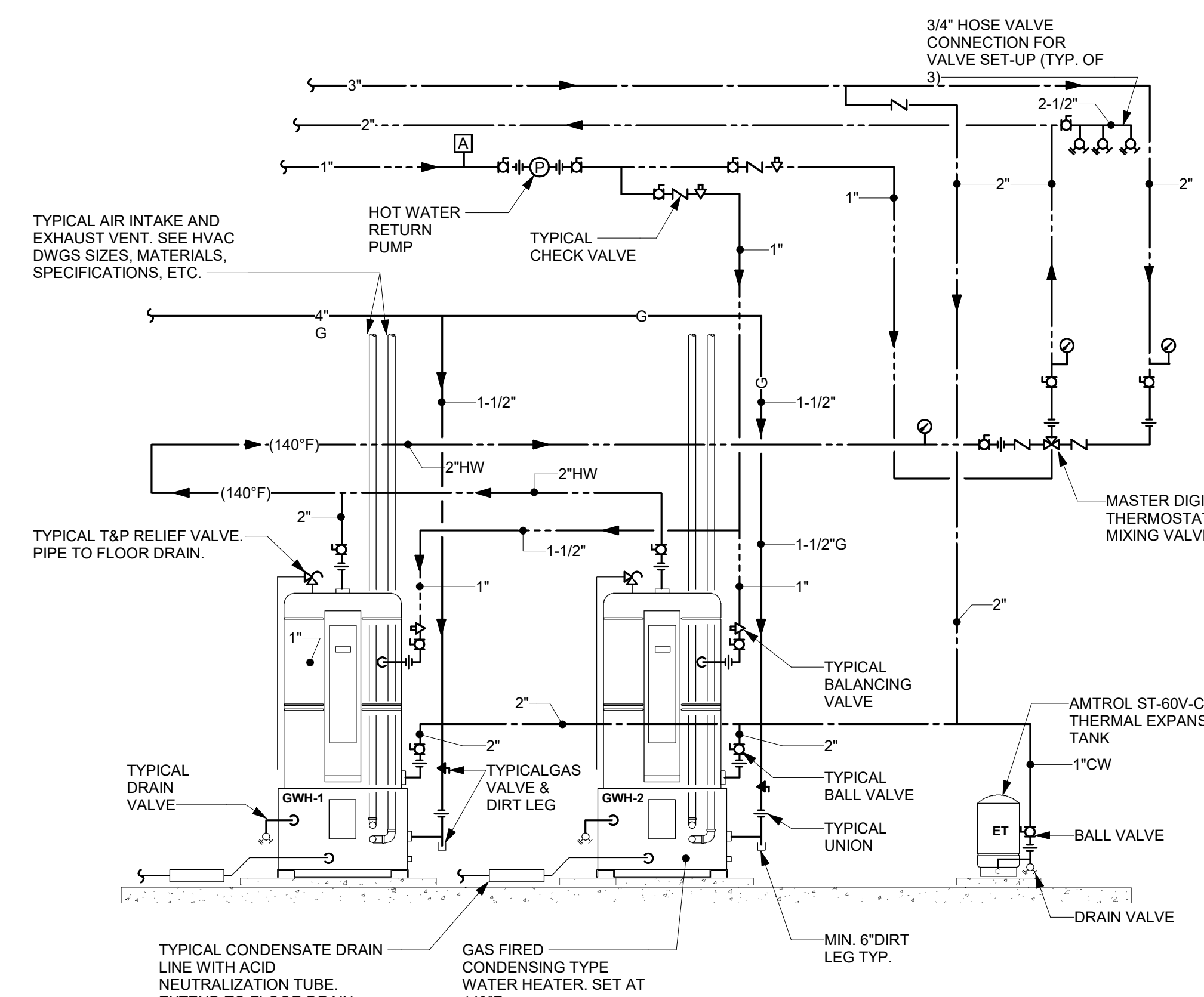


**DOMESTIC WATER BOOSTER PUMP SYSTEM PIPING DETAIL**  
NOT TO SCALE

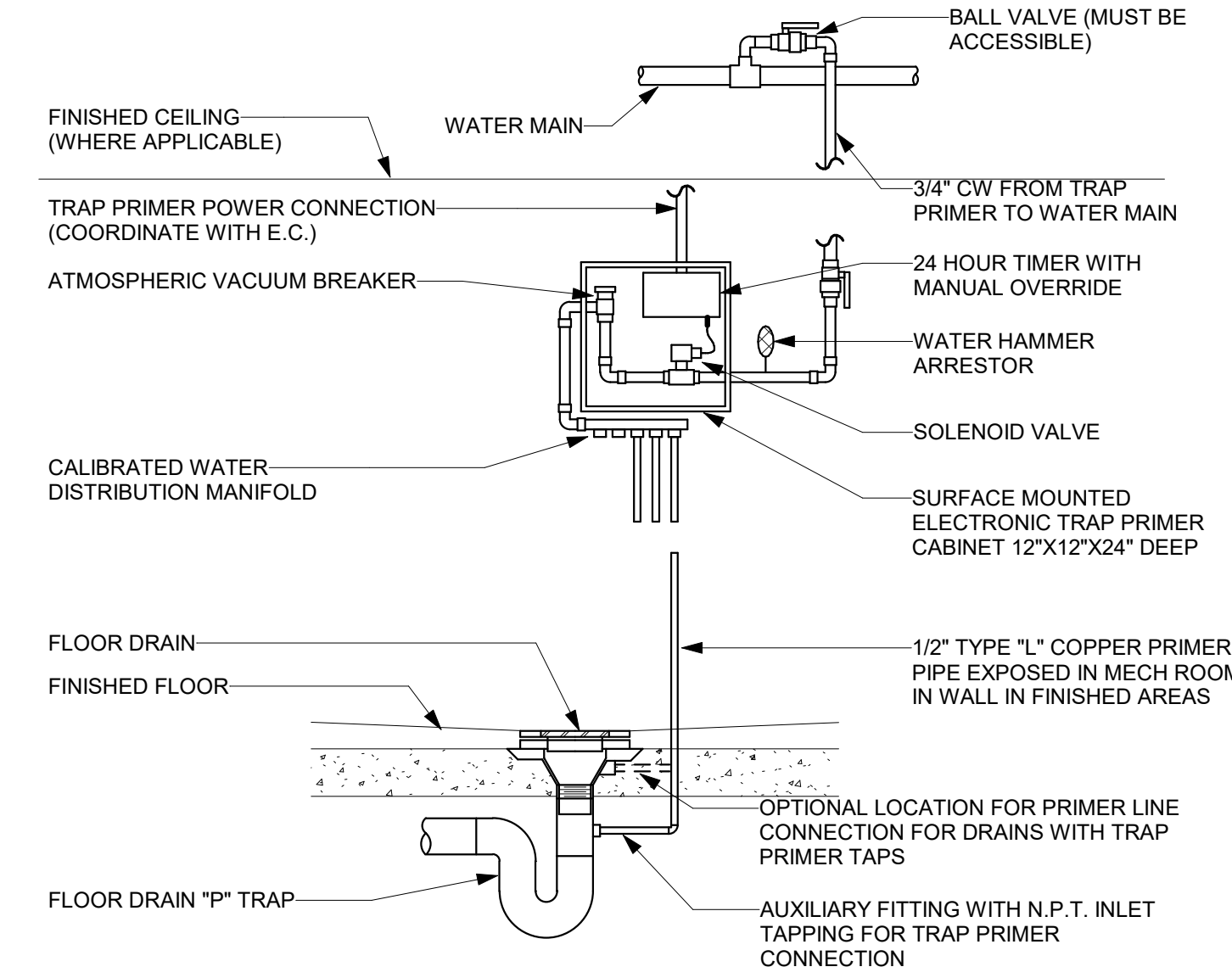
**LAB AIR SYSTEM PIPING DETAIL**  
NOT TO SCALE



**TYPICAL MOP SINK DETAIL**  
NOT TO SCALE



**GAS-FIRED CONDENSING -TYPE STORAGE DOMESTIC WATER HEATER PIPING DETAIL**  
NOT TO SCALE



**NOTES:**  
1. BOTTOM OF CABINET TO BE LOCATED A MINIMUM OF 4'-6\"/>

**TYPICAL ELECTRONIC TRAP SEAL PRIMER VALVE/SYSTEM DETAIL**  
NOT TO SCALE

**NOTE:**  
ALL ASSEMBLIES SHALL BE ADEQUATELY SUPPORTED AND/OR RESTRAINED TO PREVENT LATERAL MOVEMENT. PIPE HANGERS, BRACES, SADDLES, STANCHIONS, PIERS, ETC., SHOULD BE USED TO SUPPORT THE DEVICE AND SHOULD BE PLACED IN A MANNER THAT WILL NOT OBSTRUCT THE FUNCTION OF OR ACCESS TO THE RELIEF VALVE, TEST PORTS OR VALVES.

- NOTES:**
- REFER TO DRAWINGS FOR UNIT SIZE(S).
  - THE RPD MOUNTING HEIGHT AND CLEARANCES INDICATED ABOVE SHALL BE MAINTAINED FOR PROPER ACCESS TO UNIT FOR MAINTENANCE, TESTING AND INSPECTION PURPOSES.
  - THE LOCATION AND MOUNTING HEIGHT OF THE RPD SHALL BE APPROVED BY THE WATER COMPANY PRIOR TO INSTALLATION.
  - ACCESS TO THIS UNIT SHALL NOT REQUIRE THE USE OF A LADDER OR REMOVAL OF CEILING TILES OR OTHER PERMANENT OR SEMI-PERMANENT CONSTRUCTION.
  - DO NOT INSTALL UNIT ABOVE A CEILING.
  - THE AREA WHERE THE RPD IS TO BE INSTALLED SHALL BE WELL LIT, PROVIDED WITH ADEQUATE DRAINAGE AND SHALL NOT BE SUBJECT TO FLOODING.

**TYPICAL REDUCED PRESSURE ZONE BACKFLOW PREVENTER INSTALLATION DETAIL**  
NOT TO SCALE

drawing title		REVISIONS		STATE OF CONNECTICUT	
PLUMBING DETAILS		mark	date	DEPARTMENT OF ADMINISTRATIVE SERVICES	
professional seal		1	09/18/19	drawing prepared by	date
				BVH INTEGRATED SERVICES	08/16/2019
				206 WEST NEWBERRY ROAD	scale
				BLOOMFIELD, CT. 06002	As indicated
				project	drawn by
				SCSU NEW HHS BUILDING	MT
				501 CRESCENT STREET	approved by
				NEW HAVEN, CT 06050	JSC
				project no.	drawing no.
				P400	
				CAO no.	project no.
				Bl-RS-329	