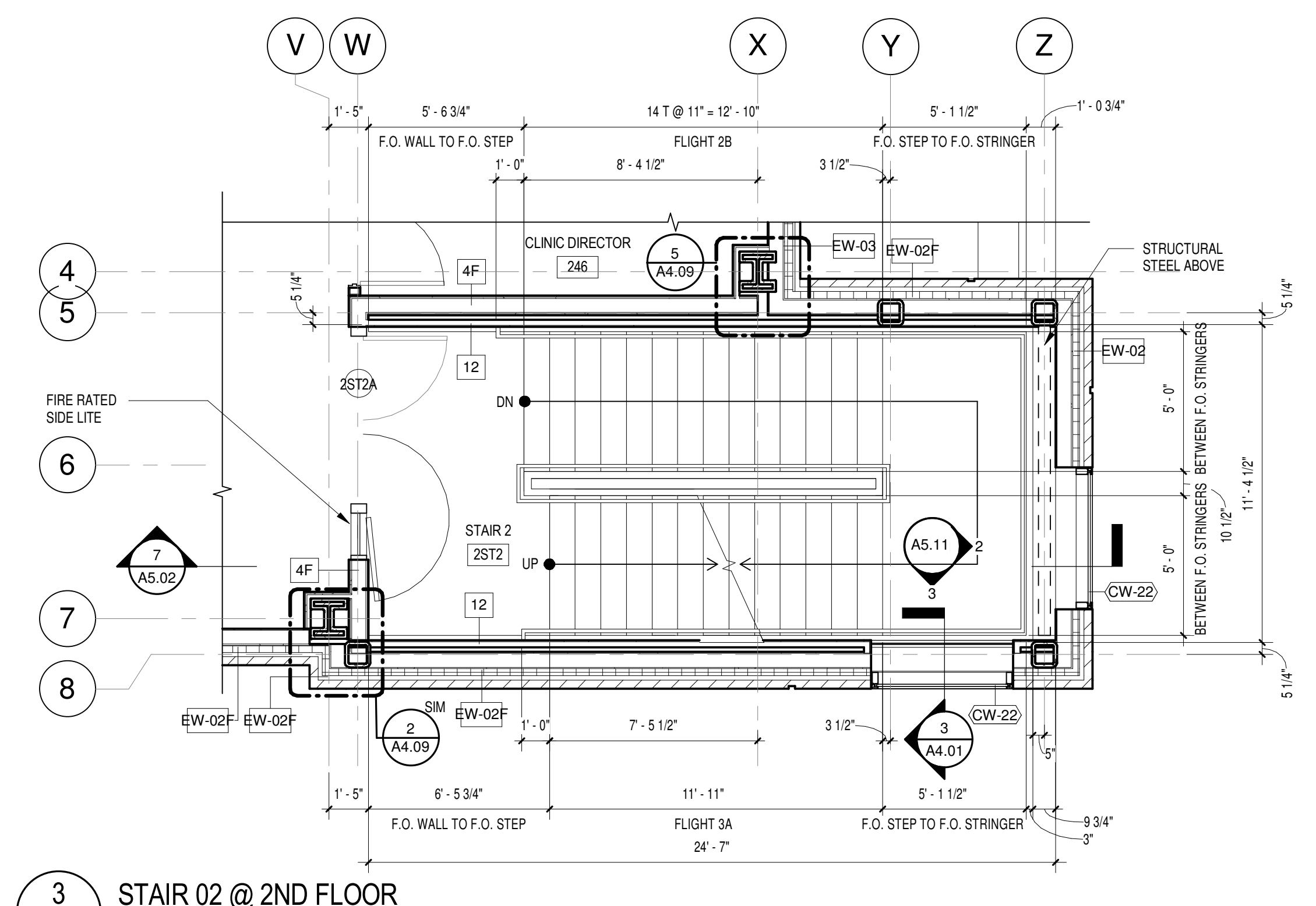
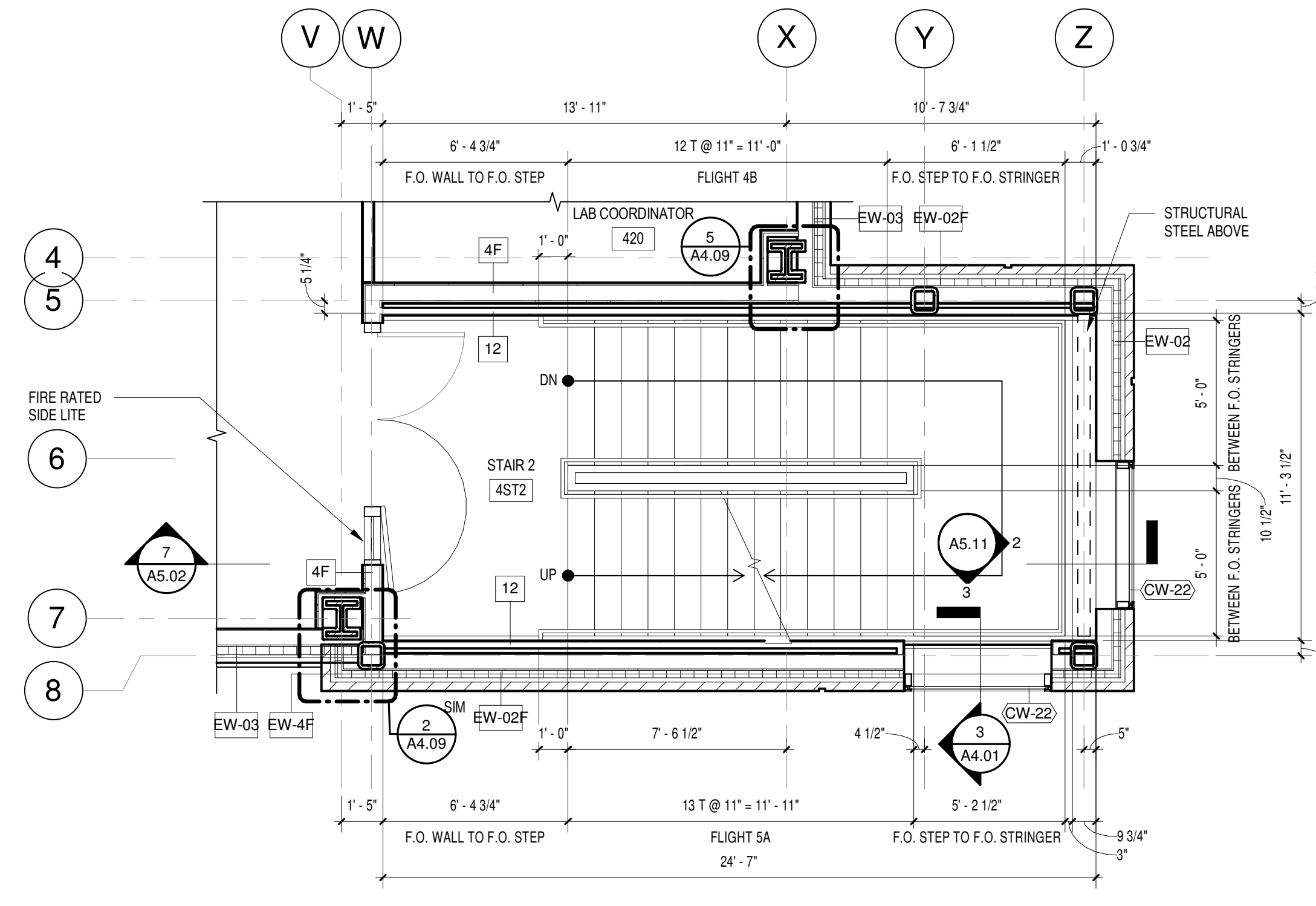


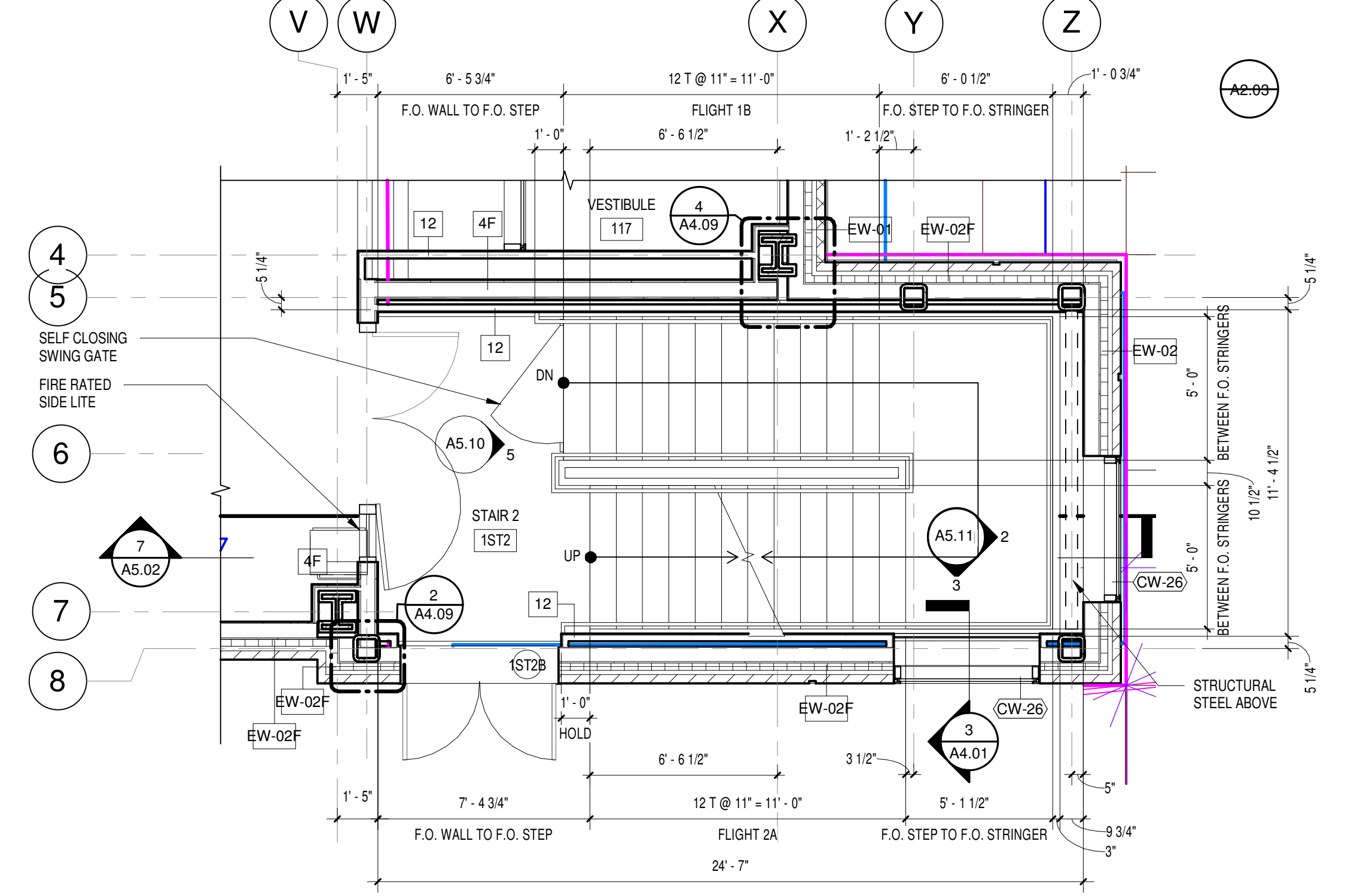
6 STAIR 02 @ ROOF  
A5.02 1/4" = 1'-0"



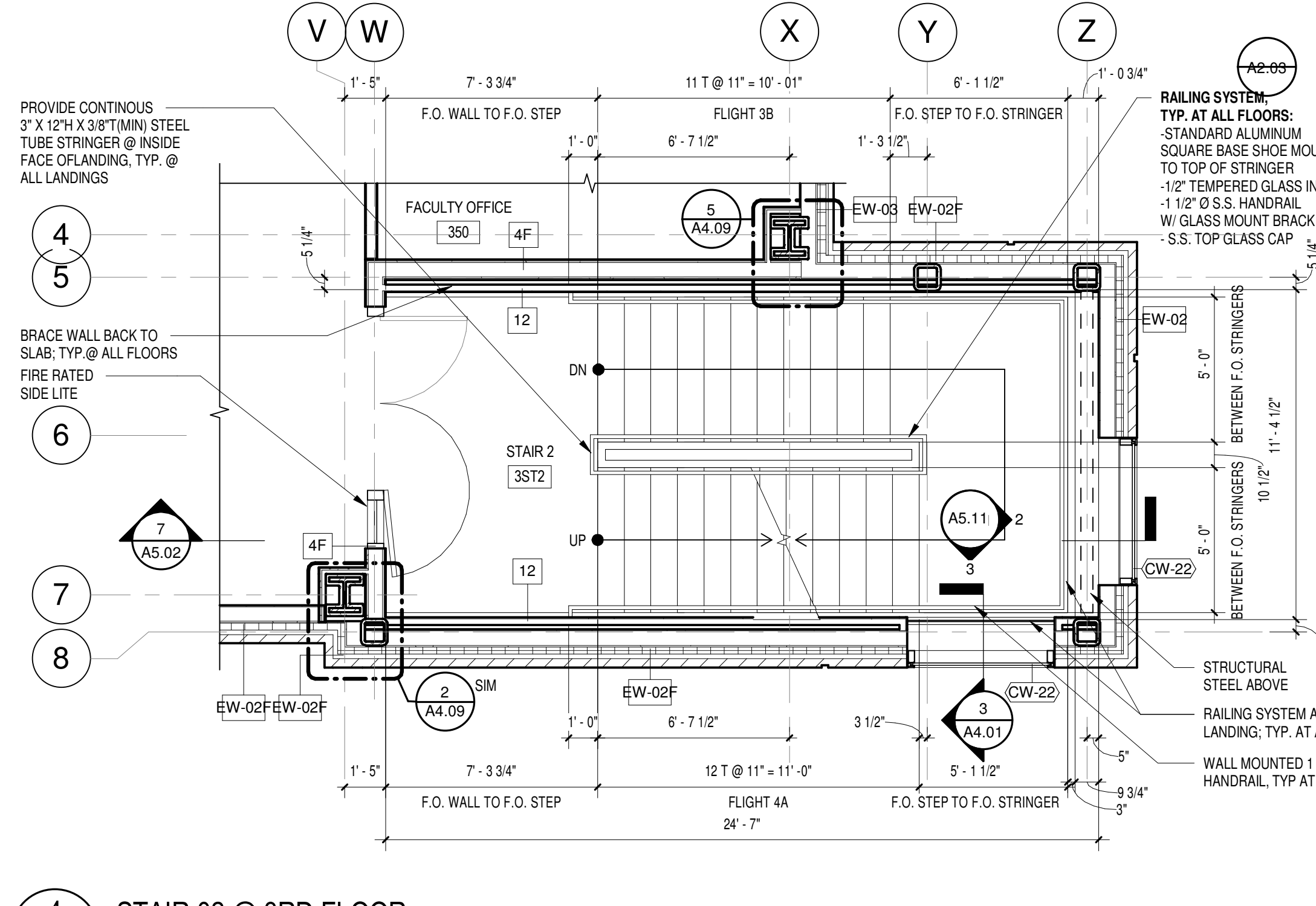
3 STAIR 02 @ 2ND FLOOR  
A5.02 1/4" = 1'-0"



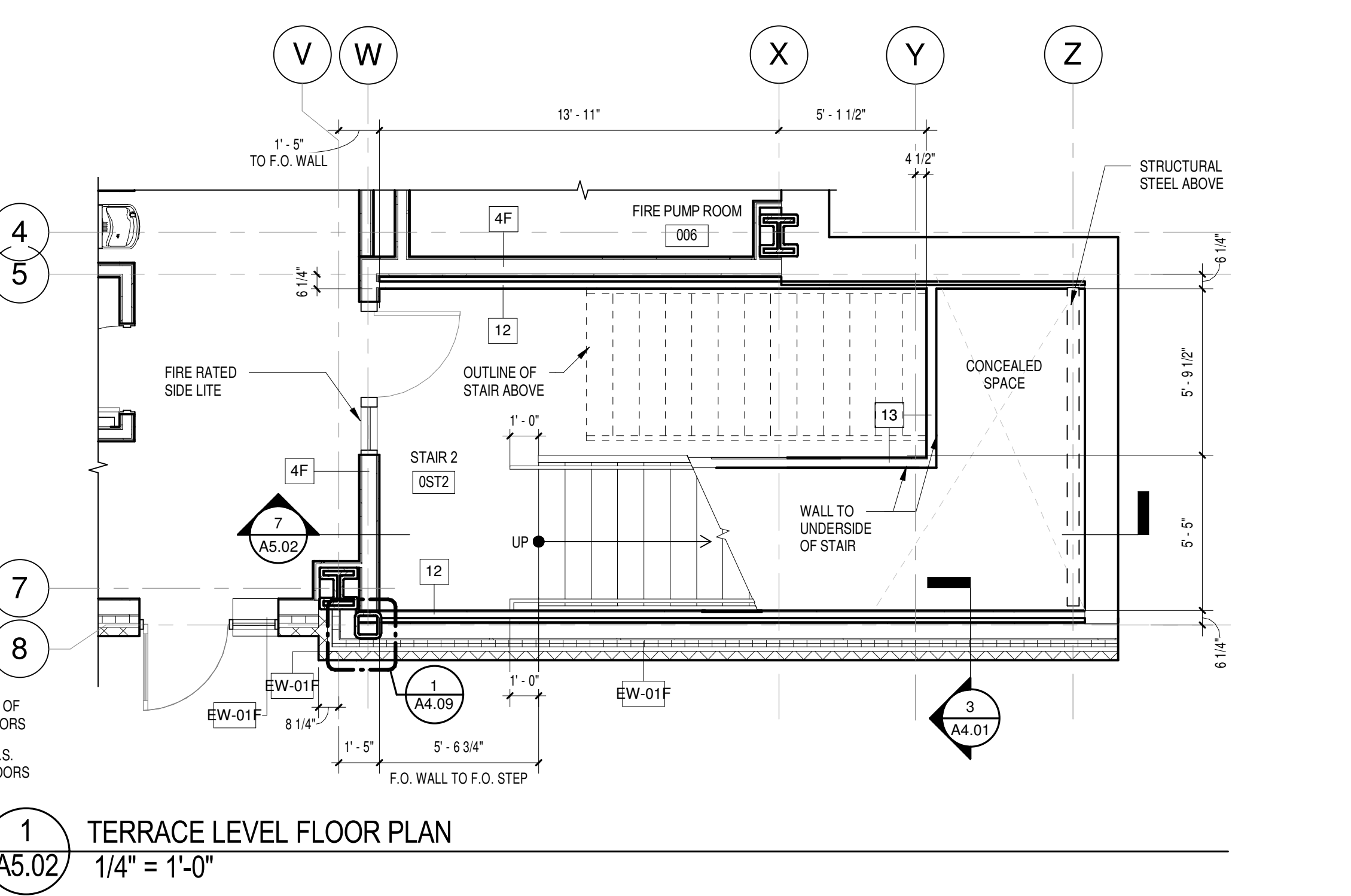
5 STAIR 02 @ 4TH FLOOR  
A5.02 1/4" = 1'-0"



2 STAIR 02 @ 1ST FLOOR  
A5.02 1/4" = 1'-0"



4 STAIR 02 @ 3RD FLOOR  
A5.02 1/4" = 1'-0"



1 TERRACE LEVEL FLOOR PLAN  
A5.02 1/4" = 1'-0"

7 STAIR 02 SECTION (NE STAIR)  
A5.02 1/4" = 1'-0"

drawing title		REVISIONS		STATE OF CONNECTICUT DEPARTMENT OF ADMINISTRATIVE SERVICES	
NORTH STAIR CORE PLANS		mark	date	description	drawing prepared by
professional seal		01	08/16/2019	DOCUMENTS FOR BID	SVIGLAS + PARTNERS
		02	09/18/2019	ADDENDUM 2	84 ORANGE STREET NEW HAVEN, CT
		03	09/26/2019	ADDENDUM 3	project
		SCSU NEW HHS BUILDING 501 CRESCENT STREET NEW HAVEN, CT 06550		date	08/05/2019
GAD no.		project no.		scale	1/4" = 1'-0"
BI-RS-329		BI-RS-329		drawn by	
				approved by	
				drawing no.	A5.02