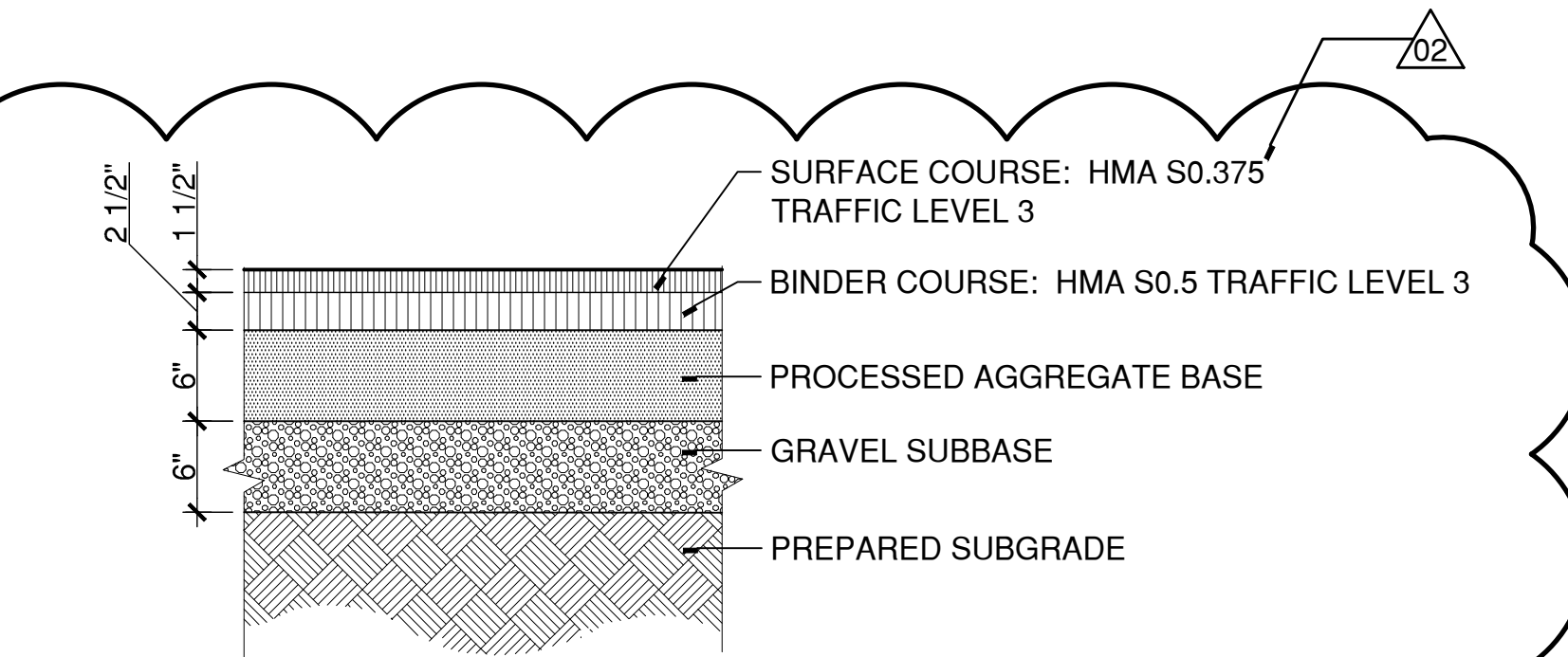
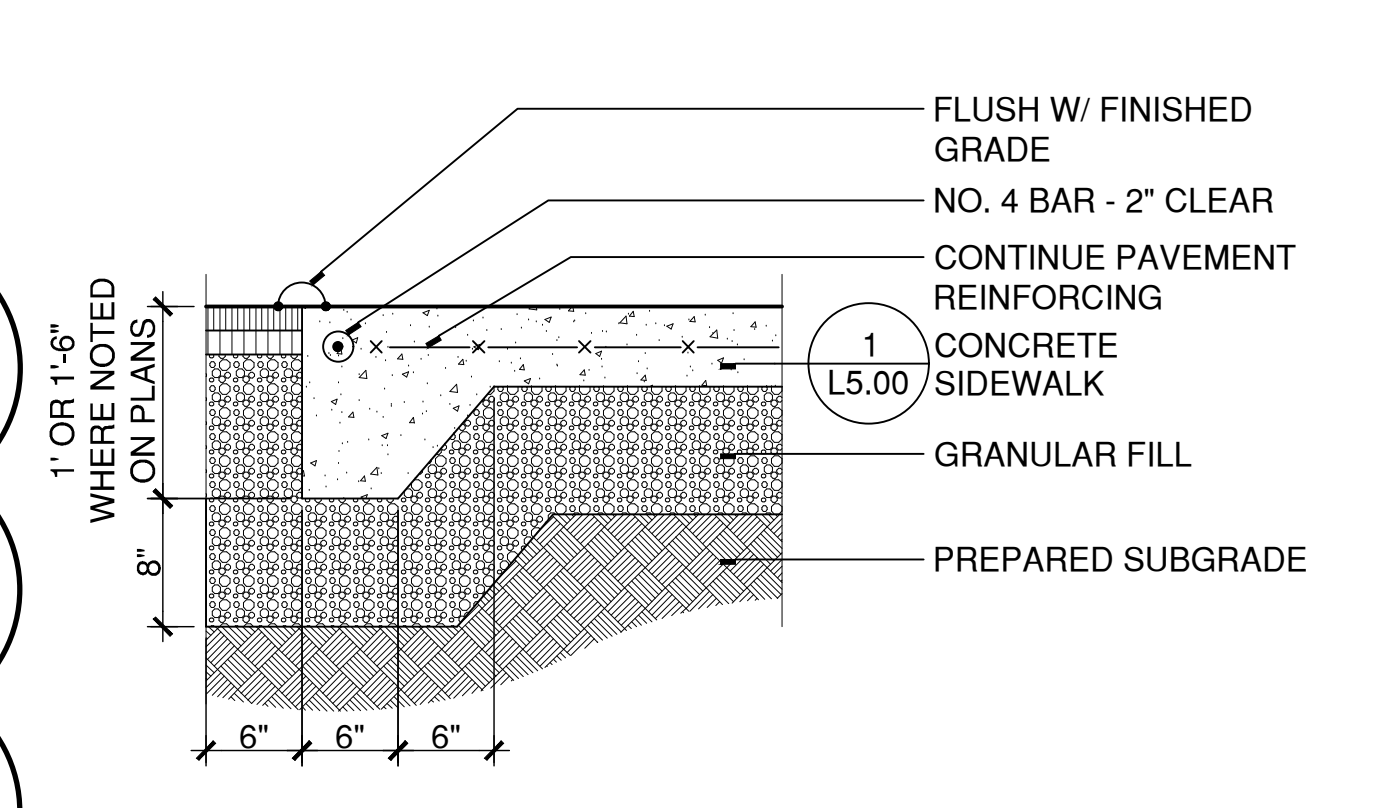


CONCRETE GENERAL NOTES

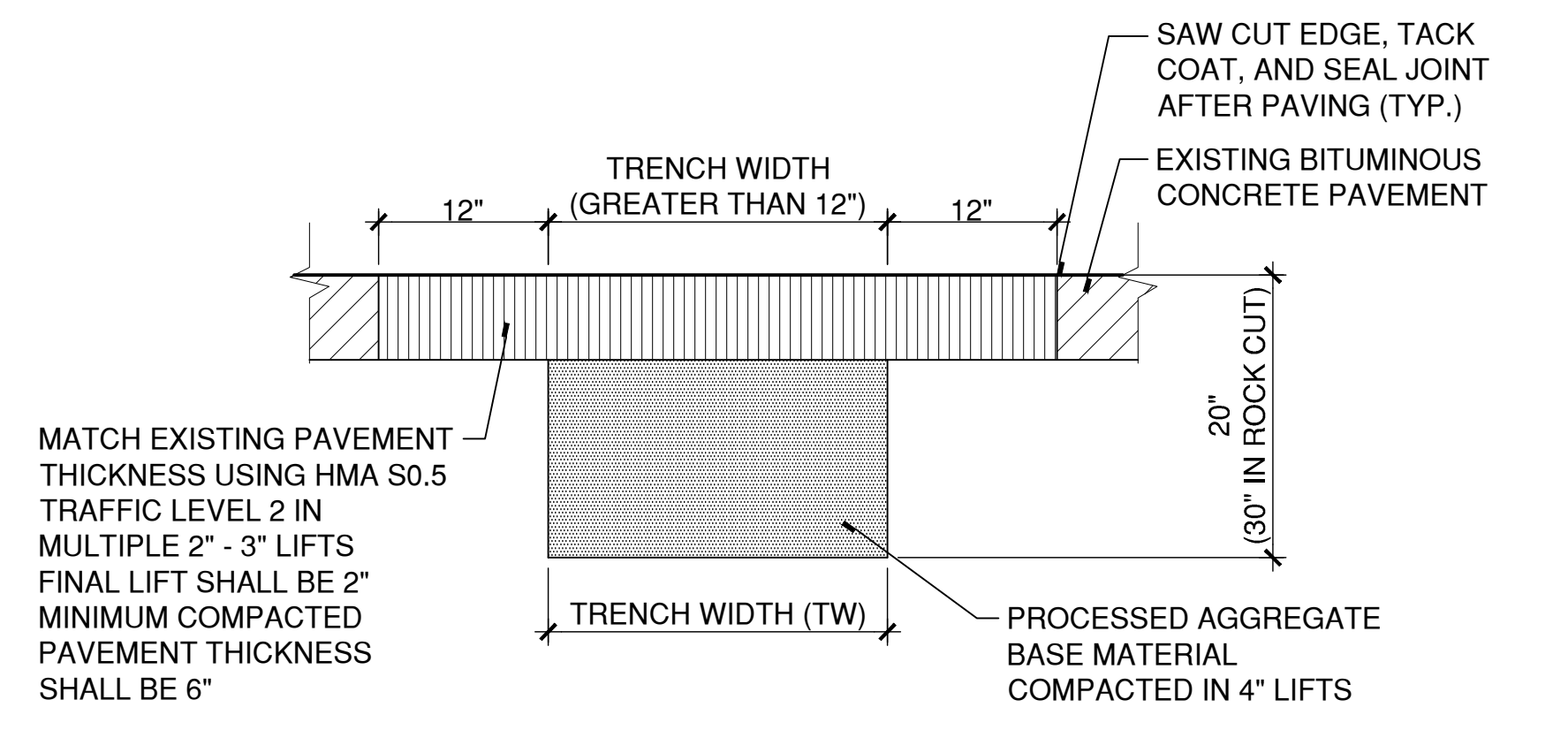
1. REINFORCING, REINFORCING ACCESSORIES AND DOWELS FOR ALL EXTERIOR CONCRETE INCLUDING BUT NOT LIMITED TO SIDEWALKS, PAVEMENT, PADS AND SITE WALLS SHALL BE EPOXY COATED.
2. PROVIDE CLEARANCE FROM EDGE OF REINFORCING TO EDGE OF CONCRETE AS NOTED ON STRUCTURAL DRAWINGS (\$0.00, CONCRETE, ITEM 21) UNLESS NOTED OTHERWISE.
3. BASE AND BACKFILL REQUIREMENTS SHALL COMPLY WITH RECOMMENDATIONS IN PROJECT GEOTECHNICAL REPORT.
4. BACKFILL EVENLY BOTH SIDES OF WALLS.
5. SIDEWALKS, PAVEMENTS AND RAMPS: APPLY BROOM FINISH PERPENDICULAR TO MAIN TRAFFIC ROUTE, OR AS INDICATED ON JOINT LAYOUT PLANS. TOOL EDGES OF PAVING AND ALL JOINTS WITH EDGING TOOL TO A 1/4" RADIUS AFTER INITIAL FLOATING AND REPEAT AFTER APPLYING BROOM FINISH. ELIMINATE EDGING TOOL MARKS ON CONCRETE SURFACES.
6. STEPS: APPLY BROOM FINISH PERPENDICULAR TO MAIN TRAFFIC ROUTE WITH 1 1/2" WIDE SMOOTH TROWELED EDGE AT NOSING. PROVIDE SMOOTH RUBBED FINISH ON VERTICAL FACES.
7. WALLS, SEAT STEPS, AND CURBS: PROVIDE SMOOTH RUBBED FINISH ON ALL EXPOSED VERTICAL SIDES AND TOPS. CONTINUE RUBBED FINISH A MINIMUM OF 6" BELOW FINISH GRADE. INCORPORATE REQUIRED JOINTS INTO REVEAL PATTERN.
8. CONTRACTOR SHALL SUBMIT SHOP DRAWINGS FOR REVIEW AND APPROVAL INDICATING JOINT LOCATIONS, FINISHES AND REVEAL PATTERNS.
9. WHERE SUBSURFACE PIPING PASSES THROUGH WALLS, SEAT STEPS OR OTHER STRUCTURES, REFER TO TYPICAL DETAIL OF PIPE PENETRATIONS THRU FOUNDATION WALLS (\$6.00). COORDINATE ALL INVERTS WITH CIVIL AND UTILITY DRAWINGS.
10. REFER TO CAST-IN-PLACE CONCRETE AND CONCRETE PAVING SPECIFICATIONS FOR ADDITIONAL REQUIREMENTS AND INFORMATION.



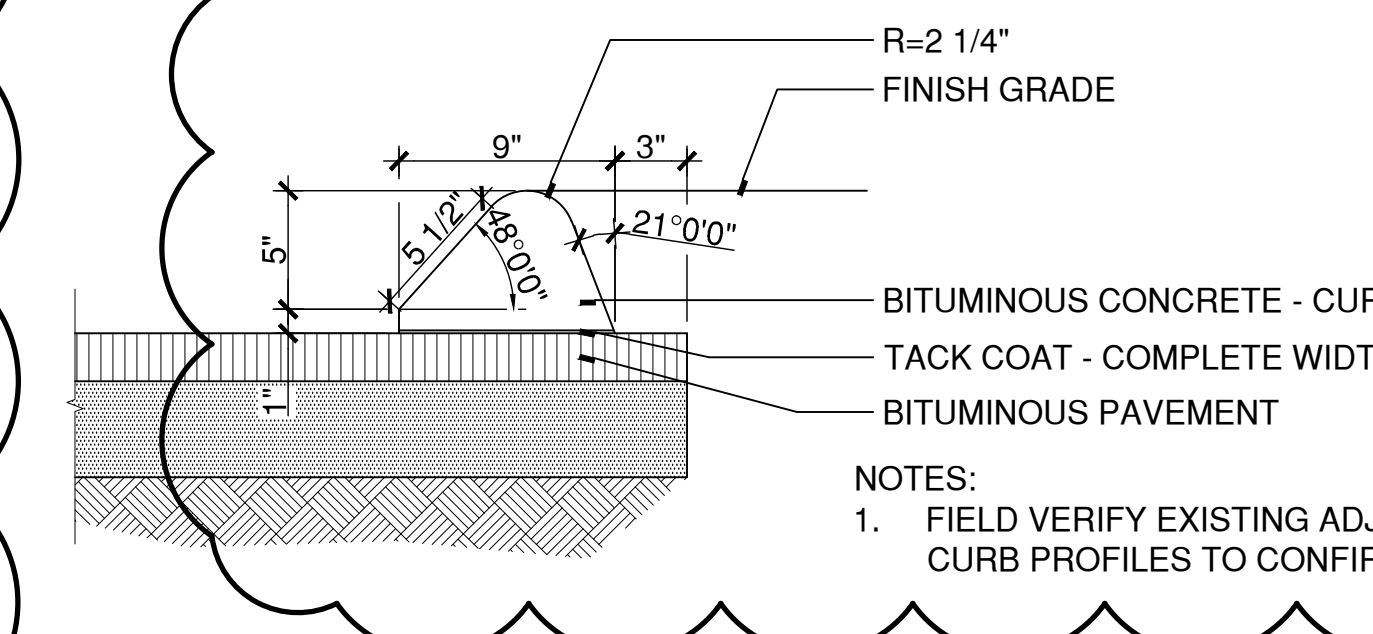
13 HEAVY DUTY BITUMINOUS CONCRETE PAVEMENT - CT DOT RIGHT-OF-WAY
 SCALE: 1"=1'
 321216-SUPERPAVE.DWG



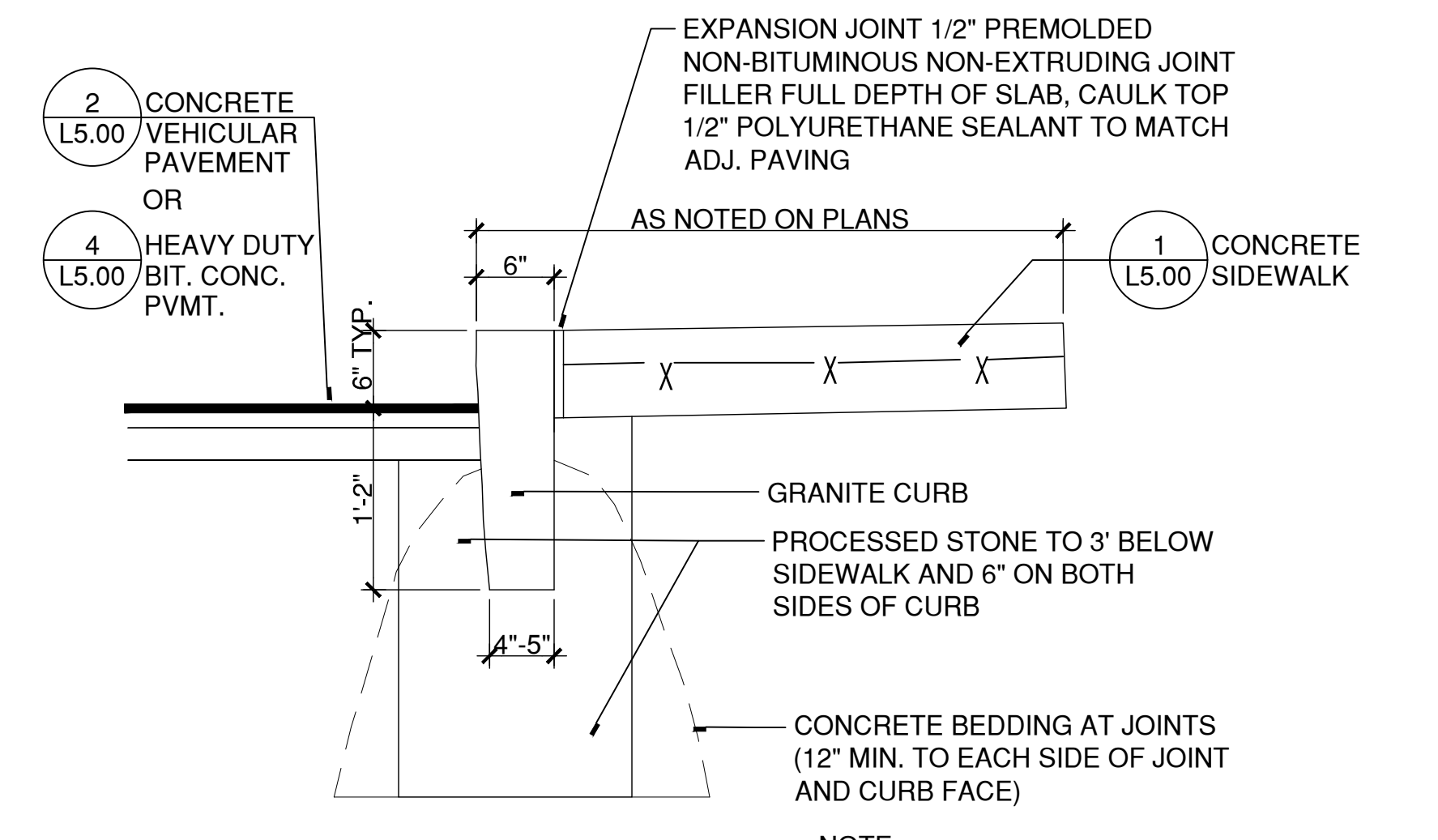
8 THICKENED EDGE OF CONCRETE WALK
 SCALE: 1"=1'
 X:\CADSTANDARD\DETAILS\321313-D.DWG



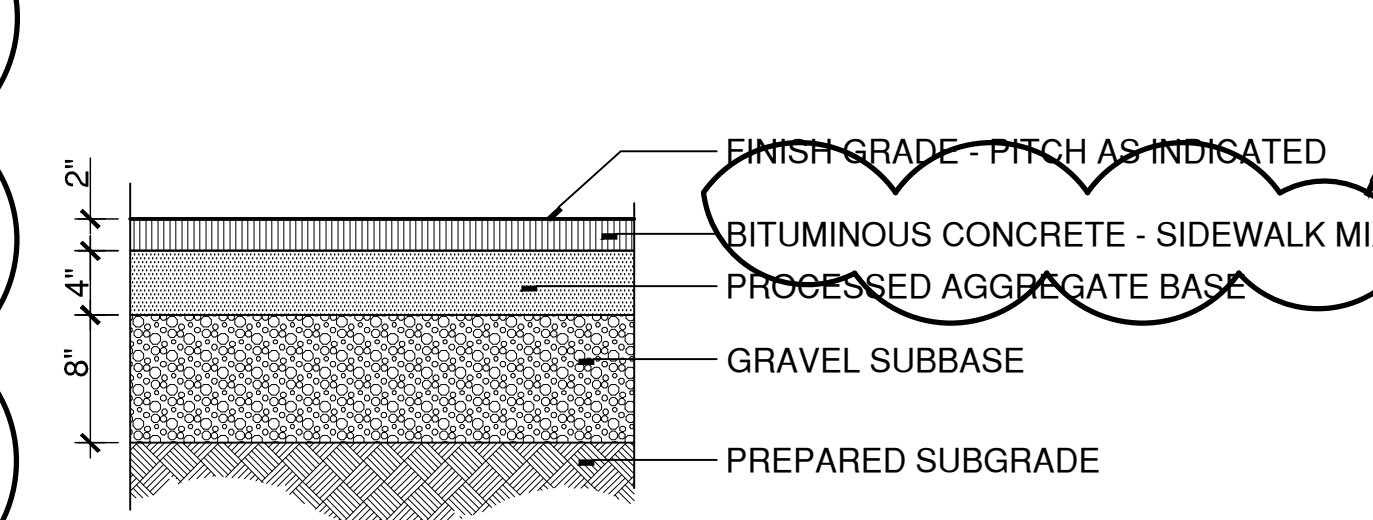
14 PERMANENT PAVEMENT FOR TRENCH THROUGH BITUMINOUS CONCRETE
 N.T.S.
 DOT TRENCH.DWG



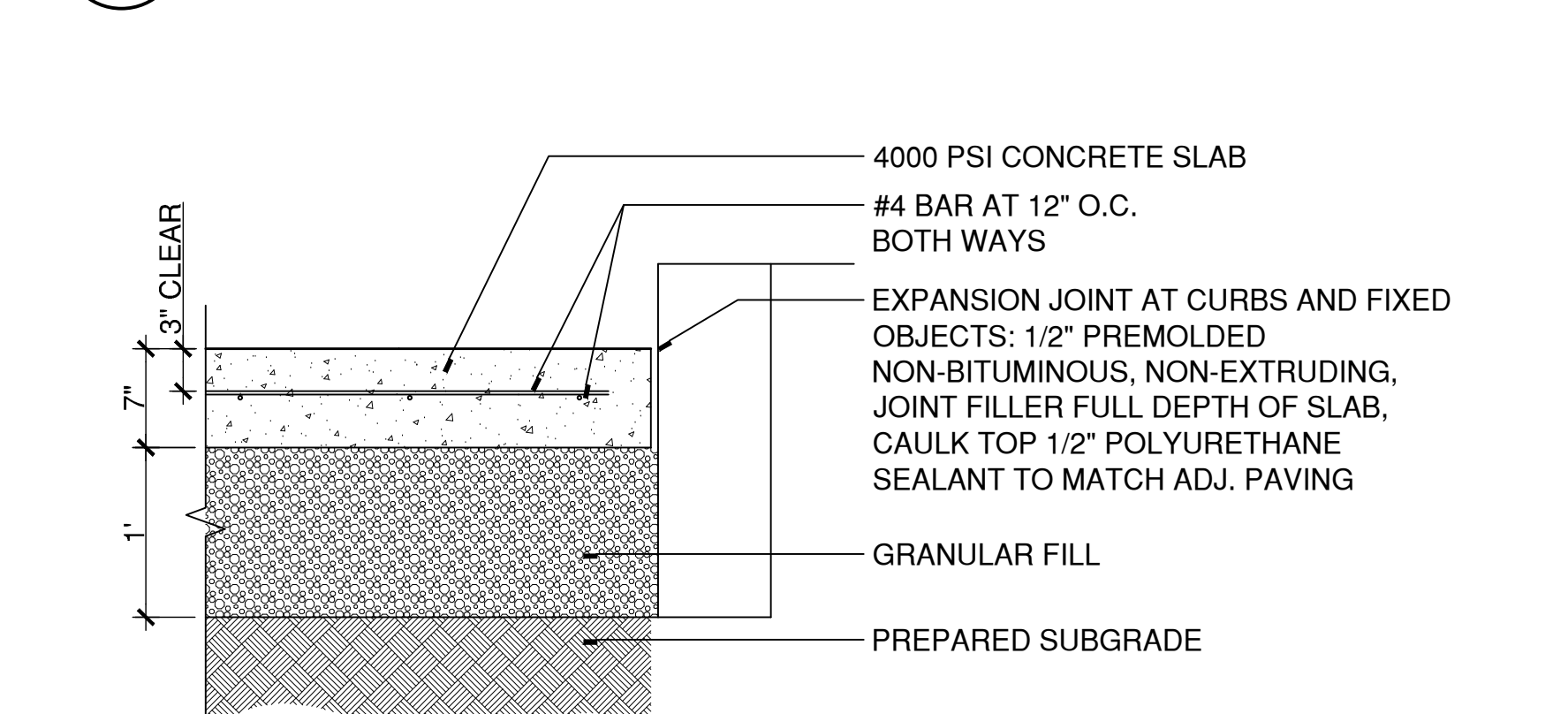
7 BITUMINOUS CONCRETE CURB
 SCALE: 1 1/2"=1'
 X:\CADSTANDARD\DETAILS\321619-A.DWG



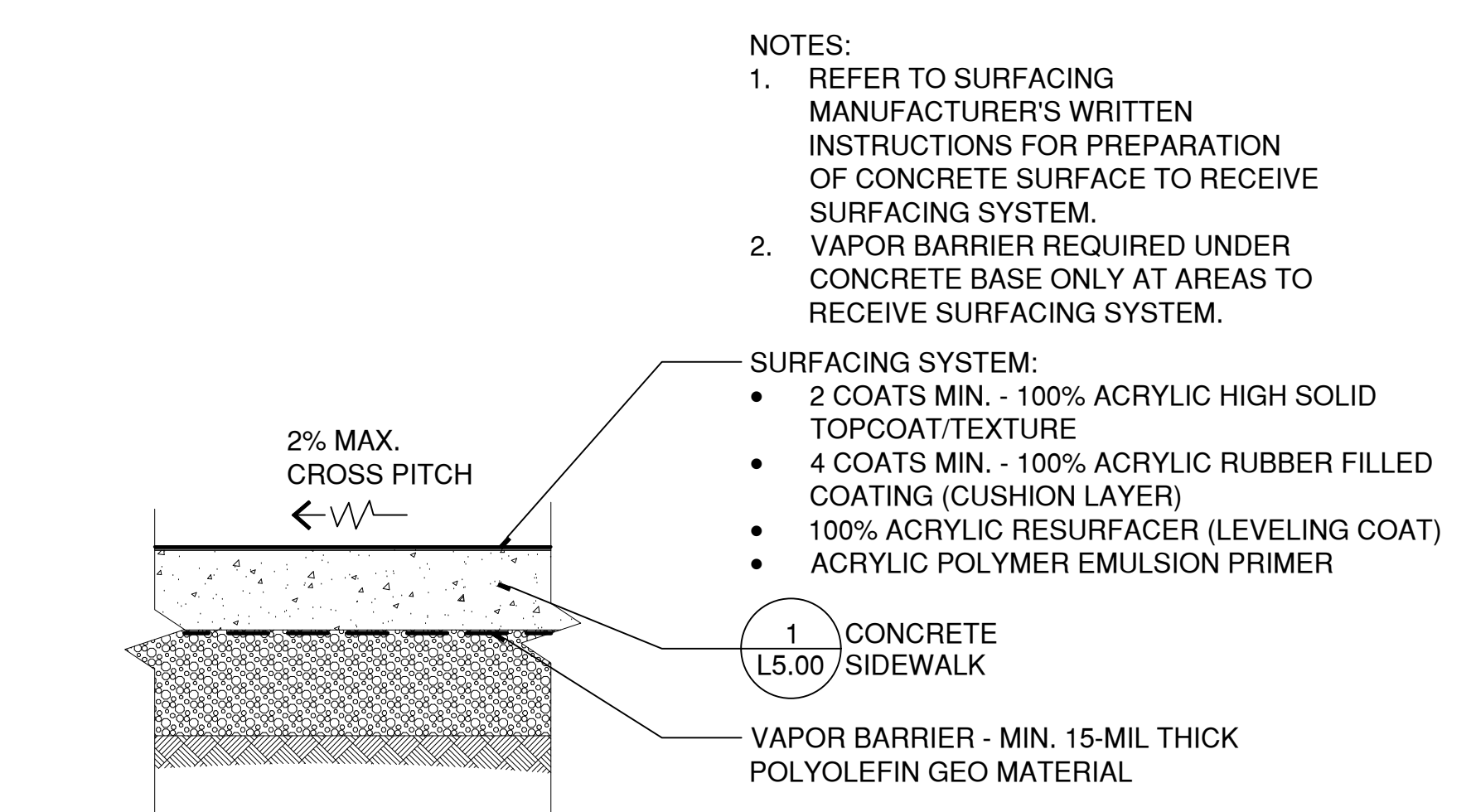
3 GRANITE CURB
 SCALE: N.T.S.
 321640-SCSU.DWG



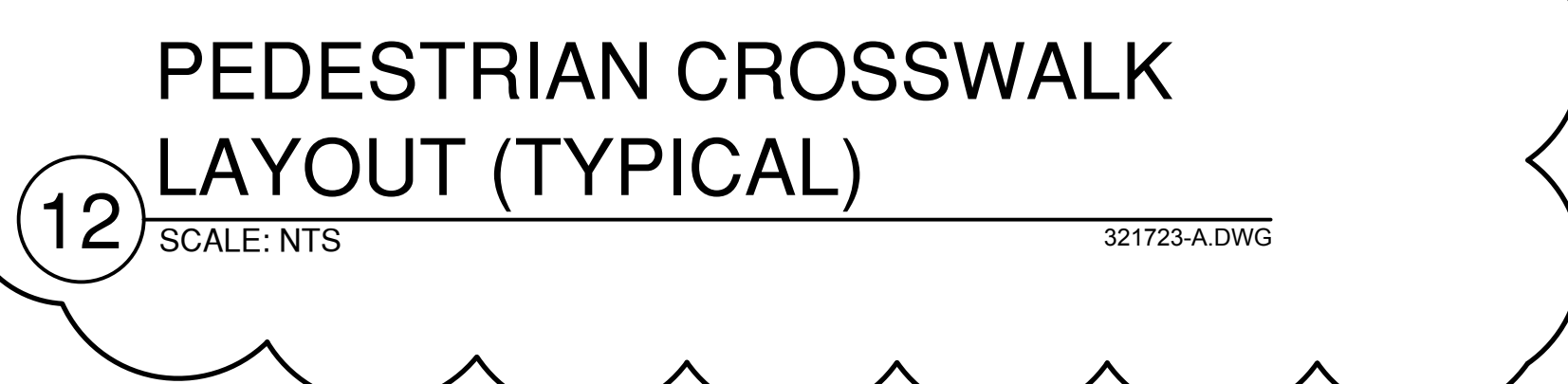
6 BITUMINOUS CONCRETE WALK
 SCALE: 1"=1'
 321216-C.DWG



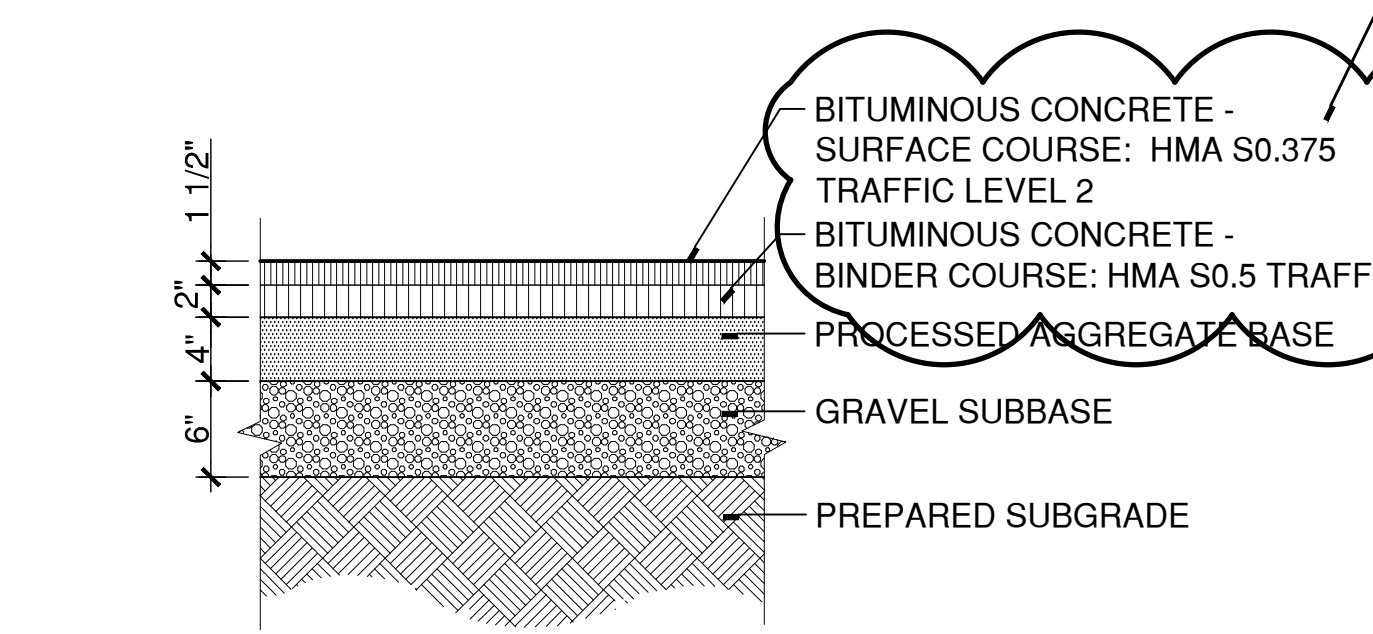
2 CONCRETE VEHICULAR PAVEMENT
 SCALE: N.T.S.
 321313-SCSU-2.DWG



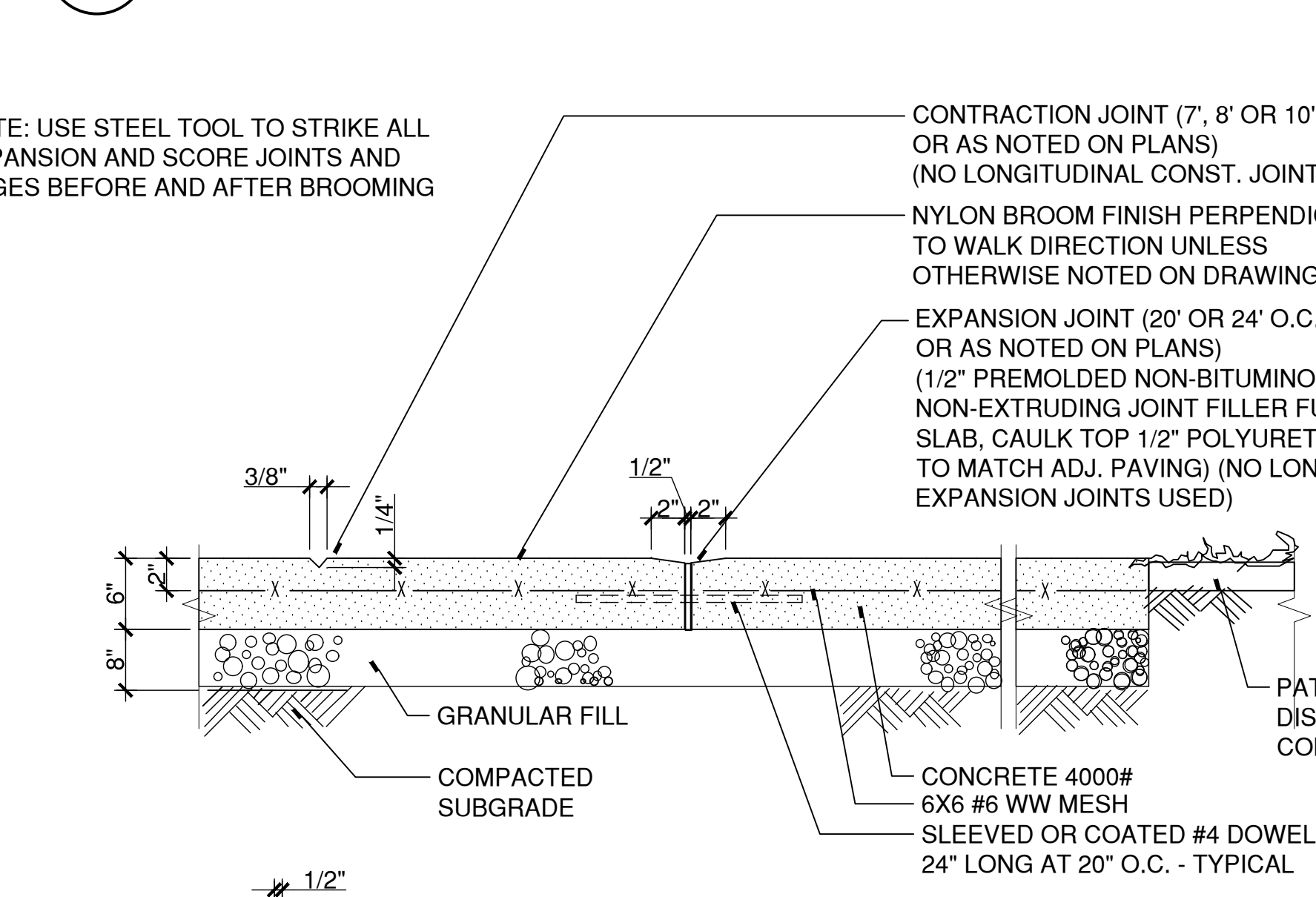
11 MULTI-PURPOSE SURFACE
 SCALE: 1"=1'
 TRACK SURFACE.DWG



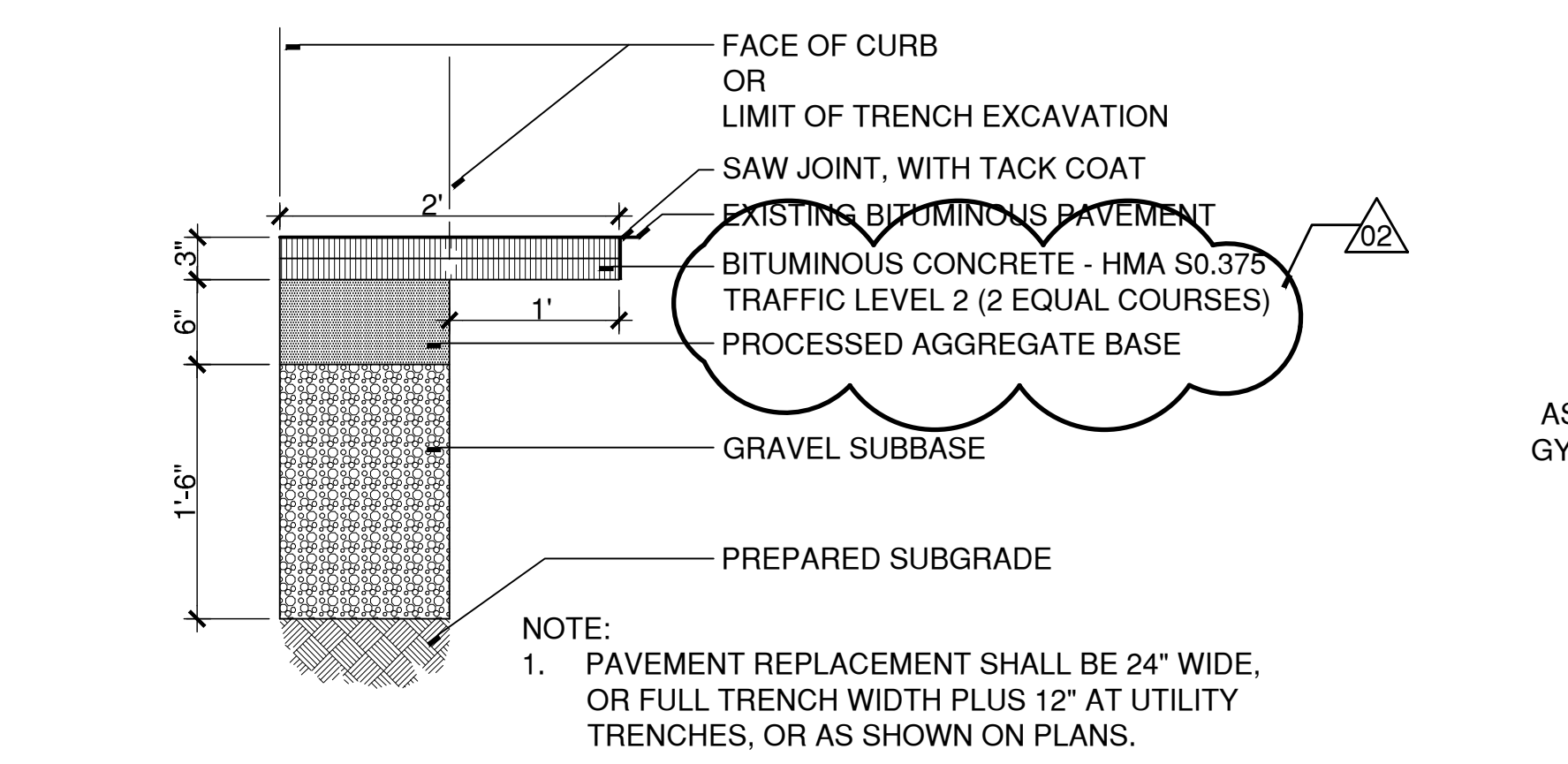
12 PEDESTRIAN CROSSWALK LAYOUT (TYPICAL)
 SCALE: N.T.S.
 321723-A.DWG



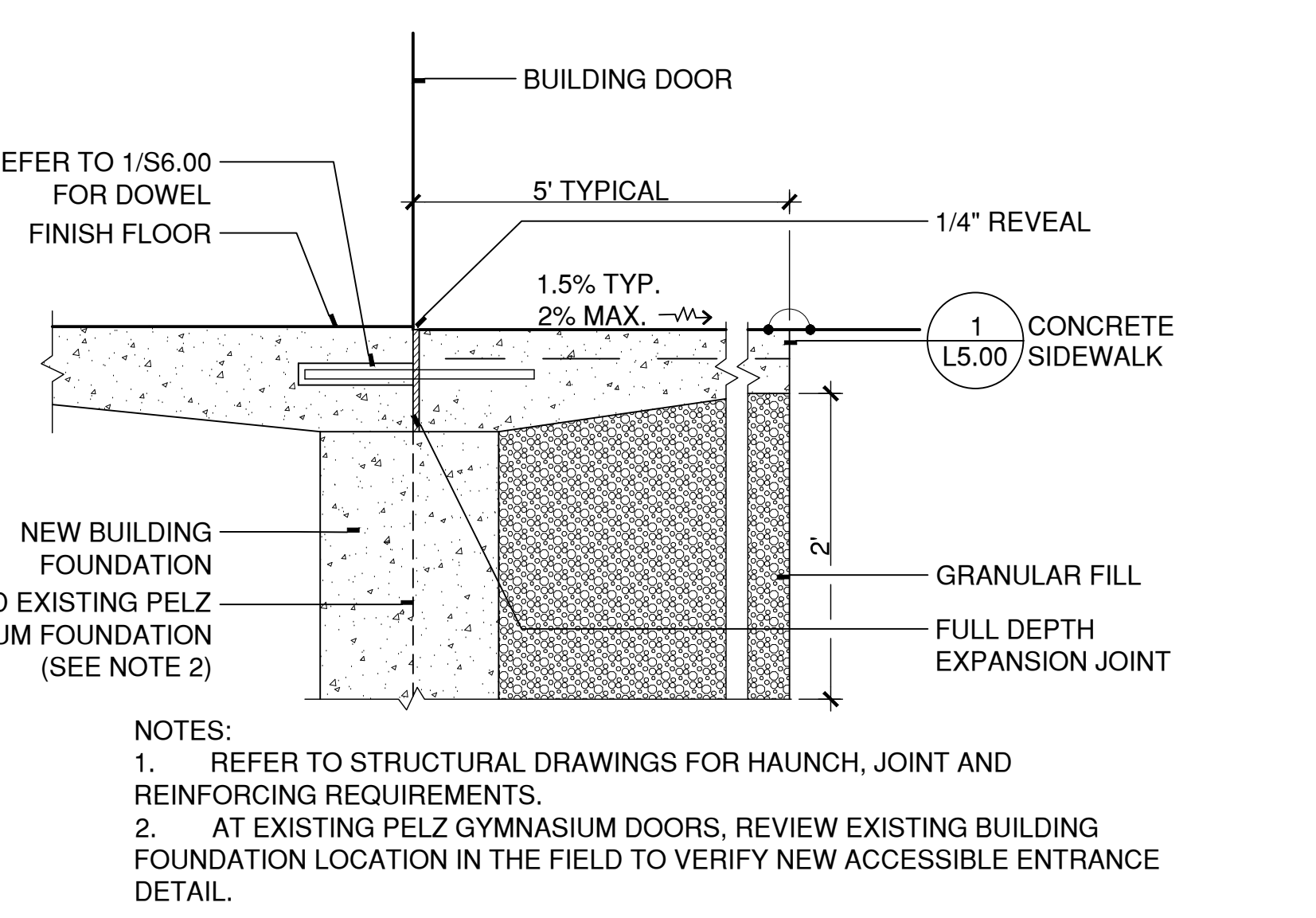
5 BITUMINOUS CONCRETE PAVEMENT
 SCALE: 1"=1'
 321216-A2.DWG



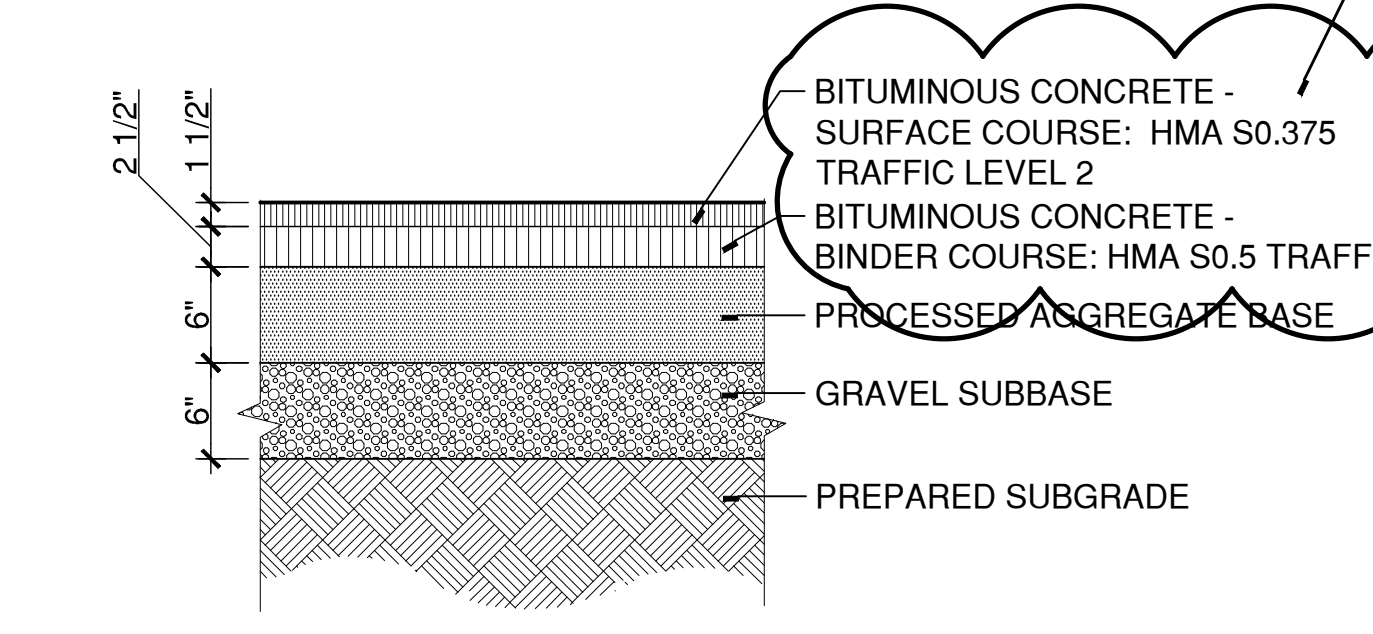
1 CONCRETE SIDEWALK
 SCALE: N.T.S.
 321313-SCSU.DWG



10 BIT. PAVEMENT REPLACEMENT
 SCALE: 1"=1'
 321216-B.DWG



9 ACCESSIBLE ENTRANCE
 SCALE: N.T.S.
 X:\CADSTANDARD\DETAILS\018916-H.DWG



4 HEAVY DUTY BITUMINOUS CONCRETE PAVEMENT
 SCALE: 1"=1'
 321216-A.DWG

drawing title		REVISIONS		drawing prepared by		date	
SITE DETAILS		mark	date	RICHTER & CEGAN INC.		08/16/2019	
professional seal		01	08/16/2019	8-B Canal Court, Box 567, Avon, CT 06001		scale	
		02	09/26/2019	DOCUMENTS FOR BID		As Noted	
		ADDENDUM 3		project		drawn by	
				SCSU NEW HHS BUILDING		approved by	
				501 CRESCENT STREET		WCR	
				NEW HAVEN, CT 06050		drawing no.	
				project no.		L5.00	
				BI-RS-329			